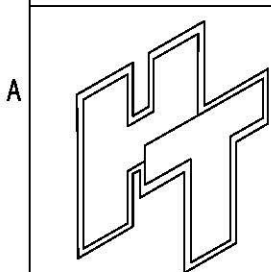
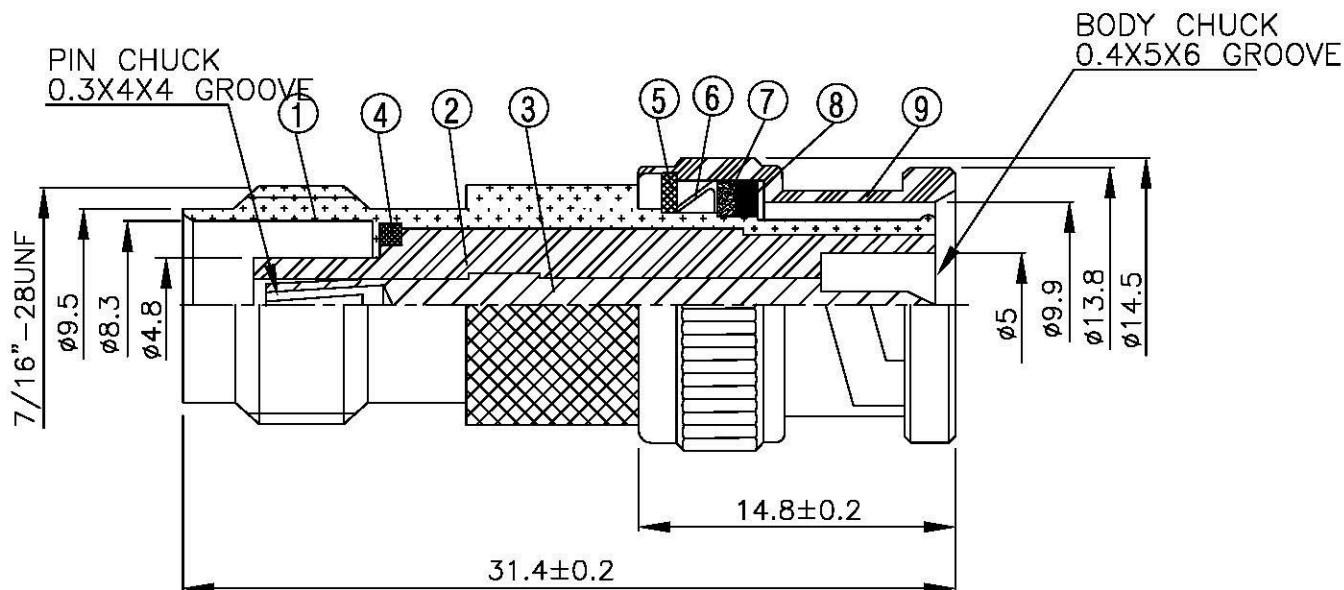


| NO | DESCRIPTION | MATERIAL | Q'TY | FINISH |
|----|-------------|----------|------|--------|
| 1 | BODY | BRASS | 1 | NICKEL |
| 2 | INSULATION | DELRIN | 1 | DELRIN |
| 3 | PIN | BRASS | 1 | GOLD |
| 4 | WASHER 1 | BRASS | 1 | NICKEL |
| 5 | WASHER 2 | BRASS | 1 | NICKEL |
| 6 | SPRING | BRASS | 1 | NICKEL |
| 7 | WASHER 3 | BRASS | 1 | NICKEL |
| 8 | GASKET | RUBBER | 1 | RUBBER |
| 9 | SHELL | BRASS | 1 | NICKEL |



All Connectors

www.allconnectors.com
 111, 800, 411, 1111
 70700 FIBERHILL - CA 94515

TITLE
BNC MALE - TNC FEMALE

PART NO.
BNC-26-DGN

DRAWING NO.
BNC 26 DGN

DRAWN MARY

DATE 96.06.18

CHECKED 蘇志欣

DATE

Q.A. 蘇姿潔

DATE

APPROVAL 徐燦霖

DATE

REVISION

DATE

DIMENSIONS ARE IN MILLIMETERS

UNLESS OTHERWISE SPECIFIED TOLERANCE

0.5-~~5~~±0.2 120-315±0.3
 5-30±0.4 315-1000±0.5
 30-120±0.6 1000-2000±0.4

SCALE 4:1 SIZE A

REVISION

DESCRIPTION ENGINEER