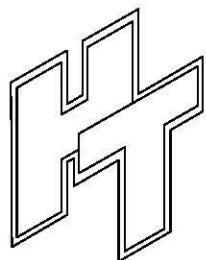
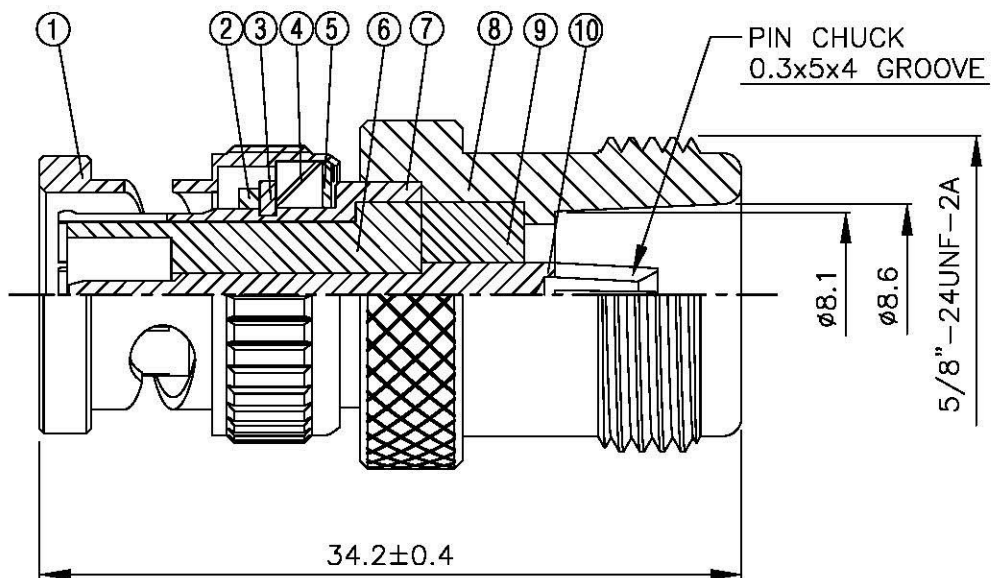
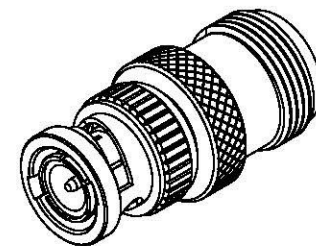


NO	DESCRIPTION	MATERIAL	Q'TY	FINISH	REMARK
1	BODY 1	BRASS	1	NICKEL	B-BNC0184-N
2	RUBBER	SI RUBBER	1	RUBBER	RU-0010
3	WASHER 1	BRASS	1	NICKEL	W-0026-N
4	WASHER 2	BRASS	1	NICKEL	W-0027-N
5	WASHER 3	BRASS	1	NICKEL	W-0025-N
6	INSULATION 1	TEFLON	1	TEFLON	I-0282T
7	BODY 2	BRASS	1	NICKEL	B-BNC0605-N
8	BODY 3	BRASS	1	GOLD	B-N0443-N
9	INSULATION 2	TEFLON	1	TEFLON	I-0283T
10	PIN	BRASS	1	GOLD	P-TNC0397-G



Allconnectors

www.allconnectors.de
Tel.: 0049 711 7061008
70796 Hildersloh, Germany

Info@allconnectors.de
Fax: 0049 711 7061004
Kottbusstr. 25

TITLE
BNC MALE -N FEMALE ADAPTOR

PART NO.
BNC-25-TGN

DRAWING NO. **BNC 25 TGN**

DRAWN **MARY** DATE **96.06.18**

CHECKED **蘇志欣** DATE

Q.A. **蘇姿潔** DATE

APPROVAL **徐燦霖** DATE

REVISION DATE

DIMENSIONS ARE IN MILLIMETERS

UNLESS OTHERWISE SPECIFIED
TOLERANCE

0.5-5=±0.2 120-315=±1

5-30=±0.4 315-1000=±1.6

30-120±0.6 1000-2000=±2.4

SCALE **4:1** SIZE **A**

REVISION

DESCRIPTION ENGINEER