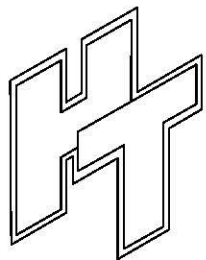
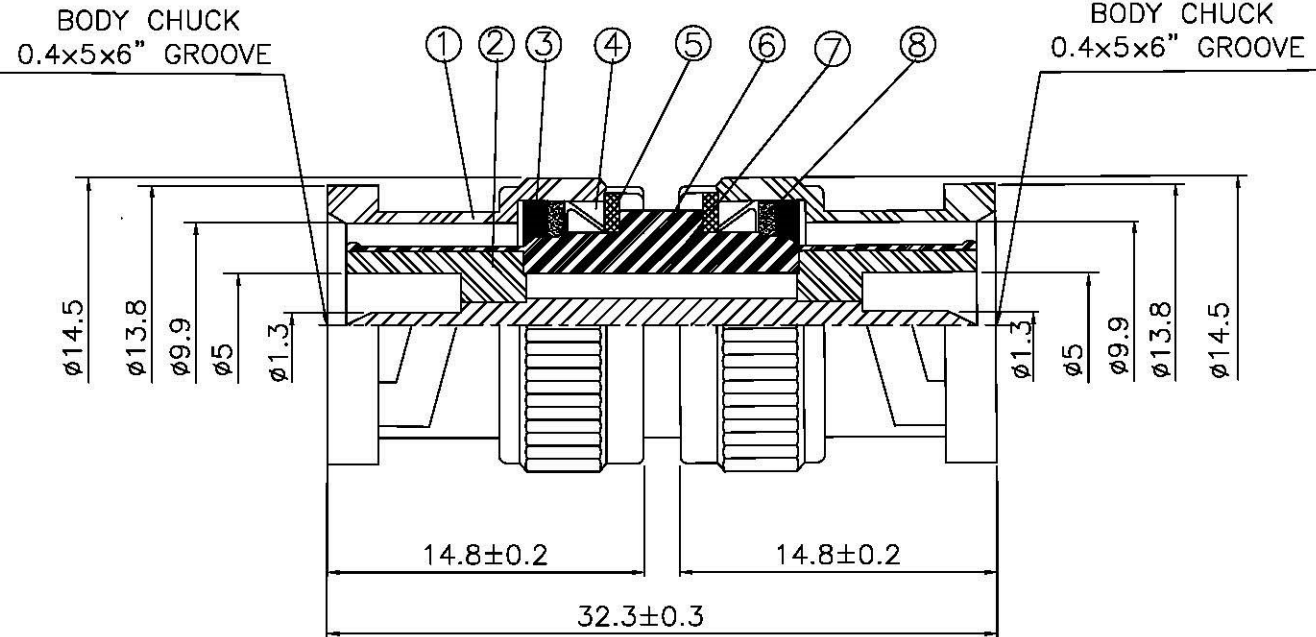
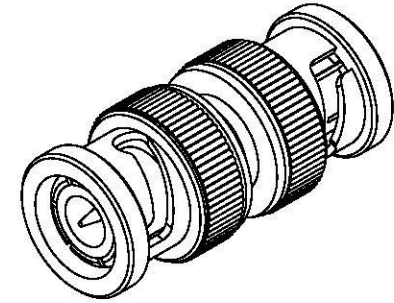


NO	DESCRIPTION	MATERIAL	Q'TY	FINISH
1	SHELL	BRASS	2	NICKEL
2	INSULATION	DELRIN	2	DELRIN
3	GASKET	RUBBER	2	RUBBER
4	SPRING	SK-5	2	NICKEL
5	WASHER	BRASS	2	NICKEL
6	BODY	BRASS	1	NICKEL
7	PIN	BRASS	1	GOLD
8	WASHER	BRASS	2	NICKEL



**All Connectors**

www.allconnectors.de  
Tel.: 0049 711 7009503  
70794 Filzschmitt, Germany

info@allconnectors.de  
Fax: 0049 711 7009504  
Königsplatz, 22

TITLE  
**BNC MALE-MALE ADAPTOR**

PART NO.  
**BNC-22-DGN**

DRAWING NO. **BNC 22 DGN**

DRAWN **MARY** DATE **96.01.17**

CHECKED **黄巧君** DATE

Q.A. **蘇姿潔** DATE

APPROVAL **徐燦霖** DATE

REVISION DATE

DIMENSIONS ARE IN MILLIMETERS

UNLESS OTHERWISE SPECIFIED  
TOLERANCE  
0.5-5=±0.2 120-315=±1  
5-30=±0.4 315-1000=±1.6  
30-120=±0.6 1000-2000=±2.4

SCALE **4:1** SIZE **A**

REVISION

REVISION	DESCRIPTION	ENGINEER