

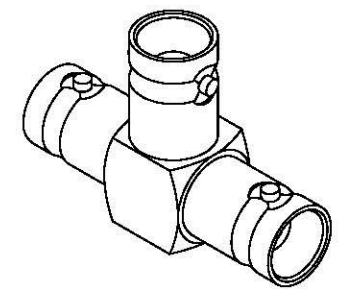
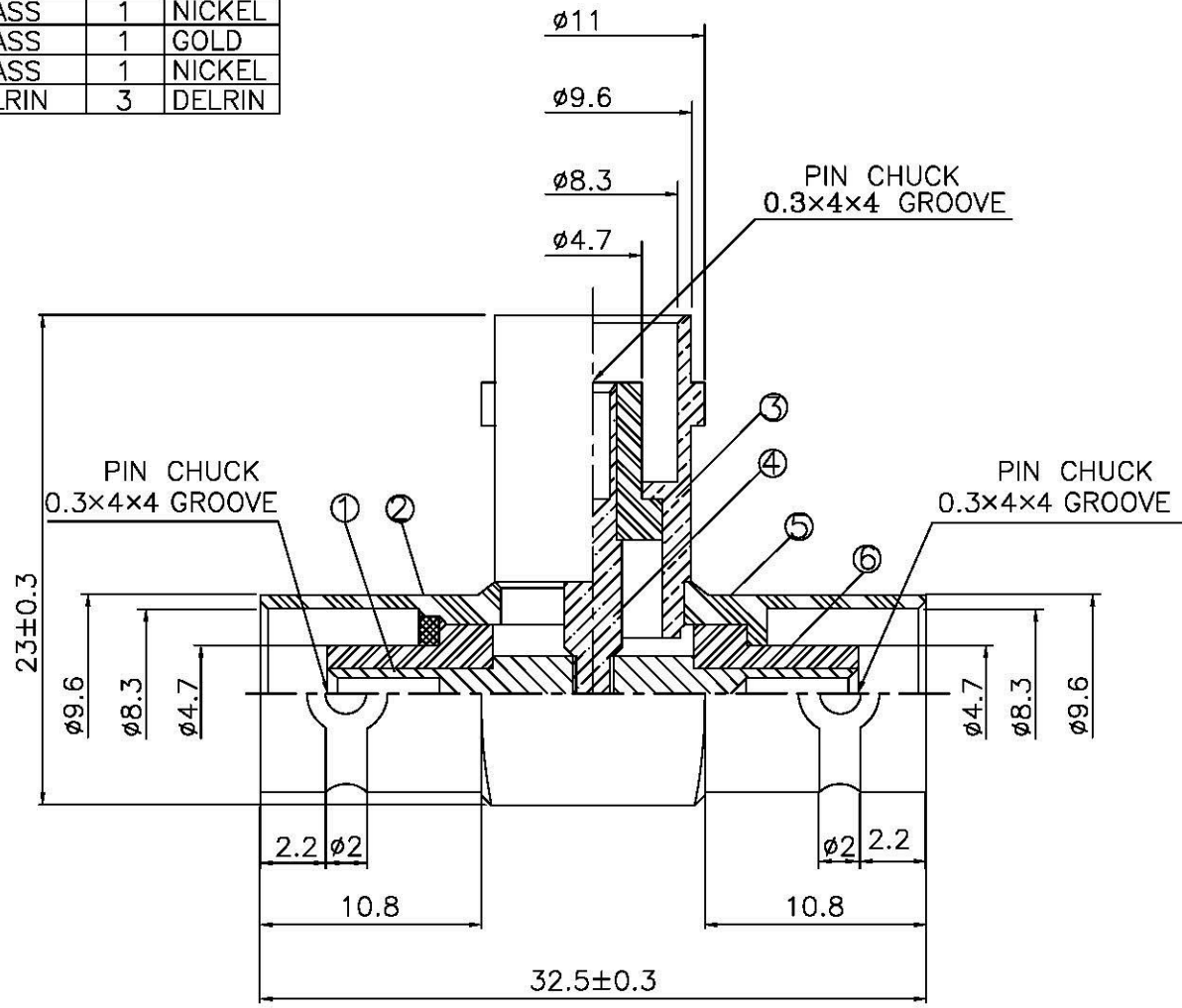
NO	DESCRIPTION	MATERIAL	Q'TY	FINISH
1	PIN 1	BRASS	1	GOLD
2	WASHER	BRASS	1	NICKEL
3	BODY 1	BRASS	1	NICKEL
4	PIN 2	BRASS	1	GOLD
5	BODY 2	BRASS	1	NICKEL
6	INSULATION	DELRIN	3	DELRIN

D

C

C

A

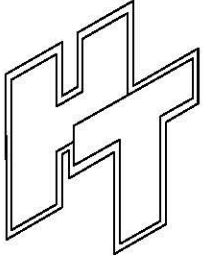



D

C

C

A

		DRAWN MARY DATE 96.06.18	DIMENSIONS ARE IN MILLIMETERS				REVISION		
	<small>www.allconnectors.de Tel.: 0049 711 2005500 70724 Hilderstadt - Germany</small>	<small>info@allconnectors.de Fax: 0049 711 7004904 Kerkerstr. 25</small>	CHECKED 蘇志欣 DATE	UNLESS OTHERWISE SPECIFIED TOLERANCE				DESCRIPTION	ENGINEER
	TITLE BNC FEMALE-FEMALE-FEMALE ADAPTOR	Q.A. 蘇姿潔 DATE	$0.5-5 = \pm 0.2$ $120-315 = \pm 1$						
	PART NO. BNC-21-DGN	APPROVAL 徐燦霖 DATE	$5-30 = \pm 0.4$ $315-1000 = \pm 0.6$						
	DRAWING NO. BNC 21 DGN	REVISION DATE	$30-120 = \pm 0.6$ $1000-2000 = \pm 2.4$						
		SCALE 4:1		SIZE A					

4

3

2

1