

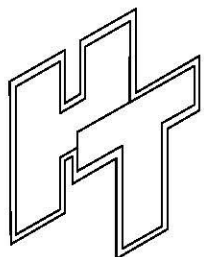
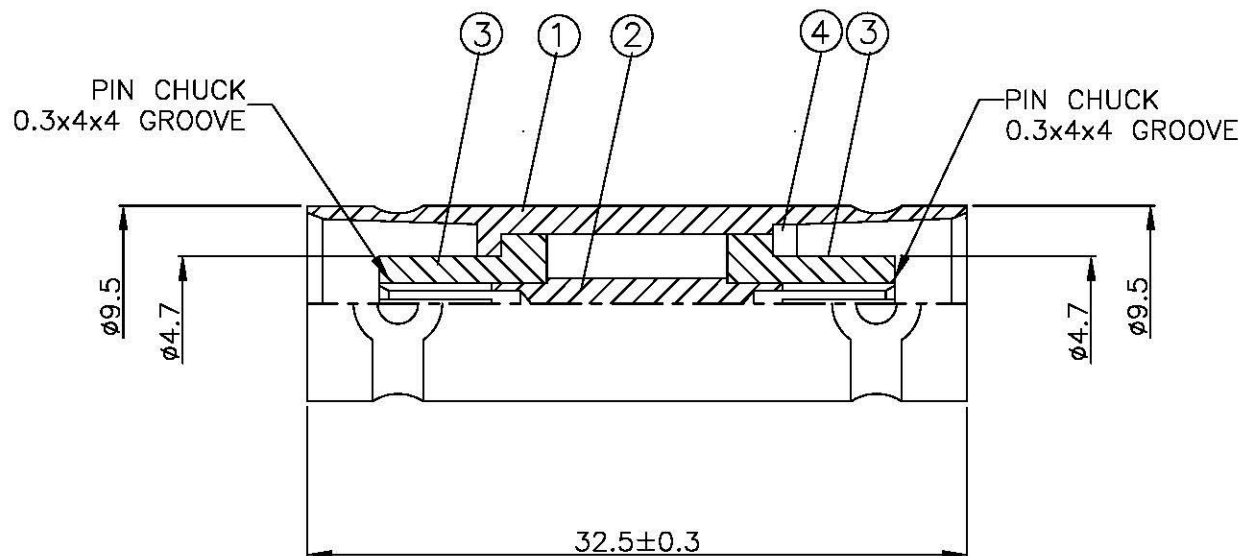
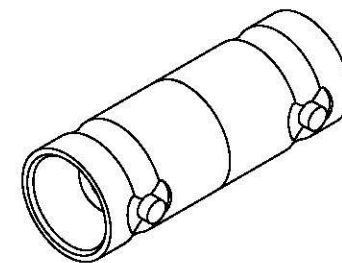
4

3

2

1

NO	DESCRIPTION	MATERIAL	Q'TY	FINISH	REMARK
1	BODY	BRASS	1	NICKEL	B-BNC0469-N
2	PIN	BRASS	1	GOLD	P-BNC0208-G
3	INSULATION	DELRIN	2	DELRIN	I-0159T
4	WASHER	BRASS	1	NICKEL	W-0007-N



**All Connectors**

www.allconnectors.com  
Tel: 0049 711 7009203  
All rights reserved - Germany

info@allconnectors.com  
Fax: 0049 711 7009204  
Kellernstr. 29

TITLE **BNC FEMALE-FEMALE**

PART NO. **BNC-20-DGN**

DRAWING NO. **BNC 20 DGN**

DRAWN **MARY** DATE **96.06.18**

CHECKED **蘇志欣** DATE

Q.A. **蘇姿潔** DATE

APPROVAL **徐燦霖** DATE

REVISION DATE

DIMENSIONS ARE IN MILLIMETERS

UNLESS OTHERWISE SPECIFIED  
TOLERANCE

0.5-5=±0.2 120-315=±1

5-30=±0.4 315-1000=±1.6

30-120=±0.6 1000-2000=±2.4

SCALE | 4:1 | SIZE | A

REVISION

DESCRIPTION ENGINEER

4

3

2

1