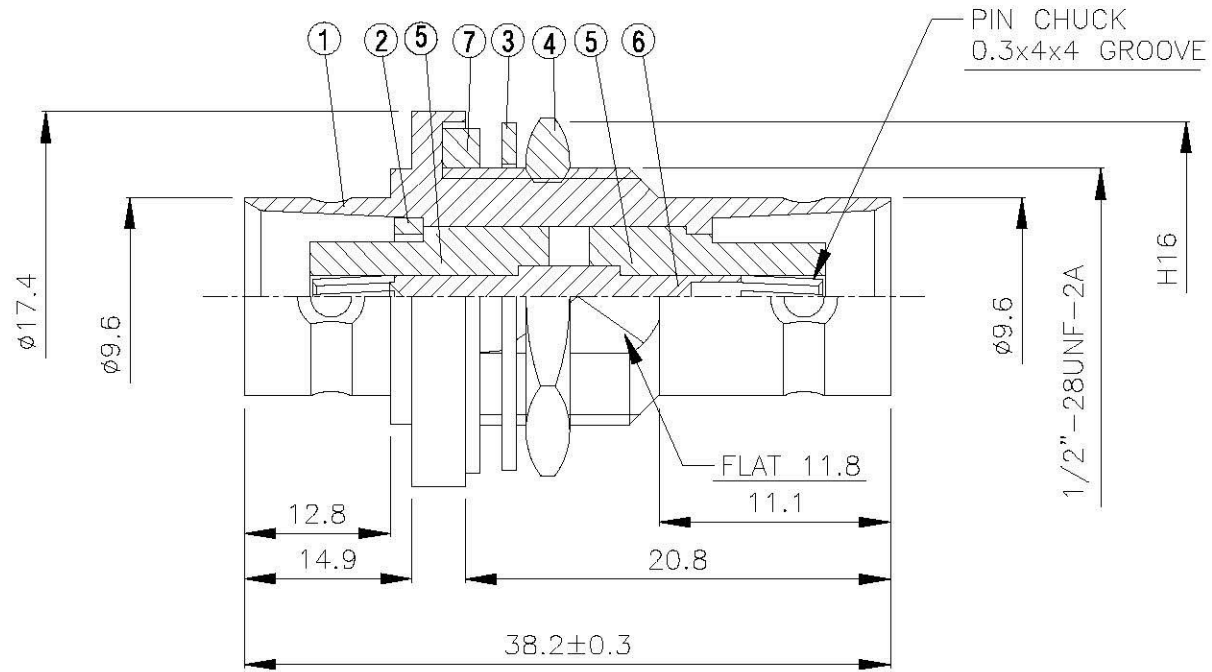


NO	DESCRIPTION	MATERIAL	Q'TY	FINISH
1	BODY	BRASS	1	NICKEL
2	WASHER	BRASS	1	NICKEL
3	WASHER	BRASS	1	NICKEL
4	NUT	BRASS	1	NICKEL
5	INSULATION	DELRIN	2	DELRIN
6	PIN	BRASS	1	GOLD
7	GASKET	RUBBER	1	RUBBER



		DRAWN <b>MARY</b> DATE <b>98.03.11</b>	DIMENSIONS ARE IN MILLIMETERS		REVISION		
	<small>www.allconnectors.de Tel: 0049 711 200500 29294 Ulmerstadt - Germany</small>	<small>Info@allconnectors.de Fax: 0049 711 200500 Kettelerstr. 25</small>	CHECKED  DATE	UNLESS OTHERWISE SPECIFIED TOLERANCE		DESCRIPTION	ENGINEER
	TITLE <b>BNC FEMALE BULKHEAD</b>		Q.A.  DATE	0.5-5=±0.2      120-315=±1			
	PART NO. <b>BNC-19V5-DGN</b>		APPROVAL  DATE	5-30= ±0.4      315-1000=±1.6			
	DRAWING NO. <b>BNC 19V5 DGN</b>		REVISION      DATE	30-120±0.6      1000-2000=±2.4	SCALE 4:1      SIZE A		