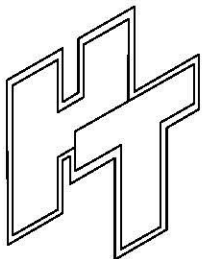
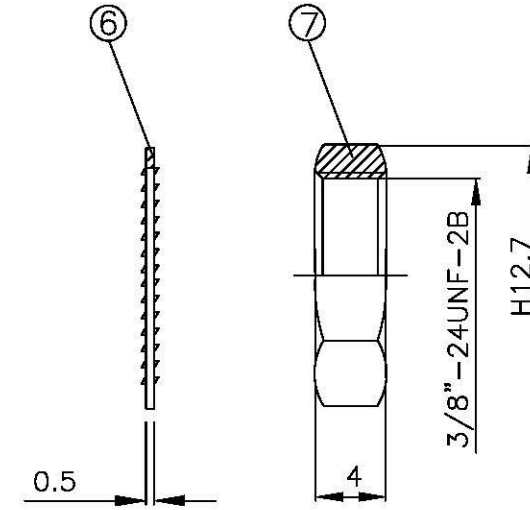
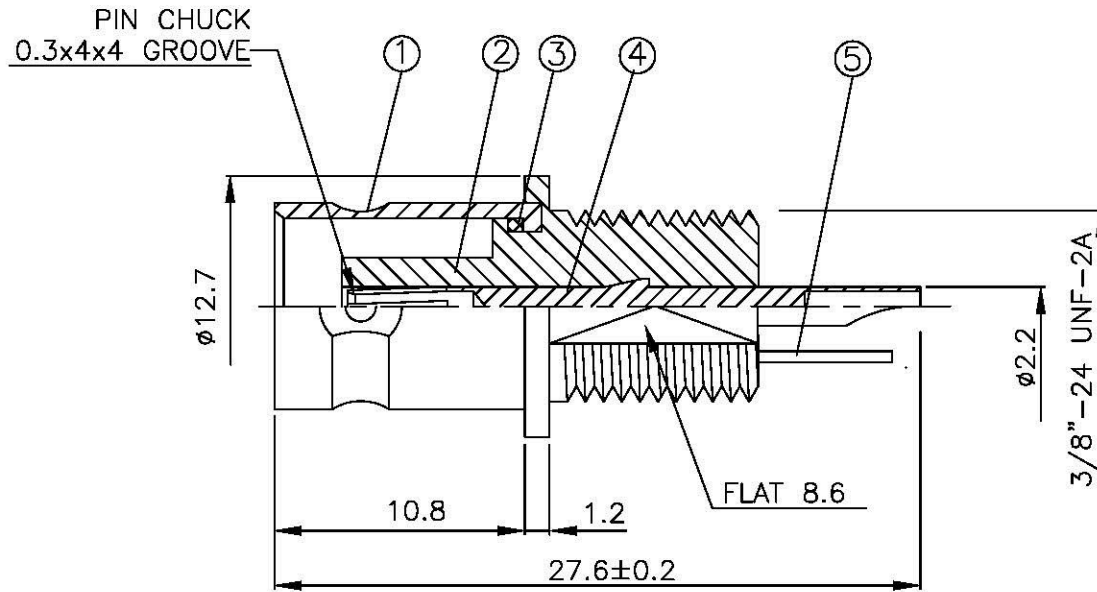
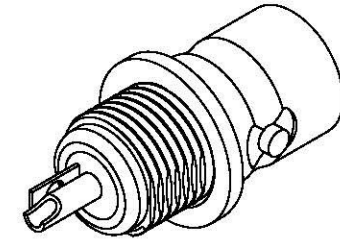


NO	DESCRIPTION	MATERIAL	Q'TY	FINISH	REMARK
1	BODY	BRASS	1	NICKEL	B-02A
2	INSULATION	ABS	1	ABS	B-02B
3	WASHER	BRASS	1	NICKEL	B-02C
4	PIN	P.BRONZE	1	GOLD	B-02D
5	BRAIN GROUNDING	BRASS	1	NICKEL	B-02E
6	WASHER	BRASS	1	NICKEL	B-02F
7	NUT	BRASS	1	NICKEL	B-02G



All Connectors

www.allconnectors.de
Tel.: 0049 711 7009508
70794 Filzstätt, Germany

info@allconnectors.de
Fax: 0049 711 7009504
Kettnerstr. 25

TITLE BNC BULKHEAD FEMALE
RECEPTACLE ISOLATED GROUND

PART NO. BNC-18-DGN

DRAWING NO. BNC 18 DGN

DRAWN MARY DATE 96.06.28

CHECKED 蘇志欣 DATE

Q.A. 蘇姿潔 DATE

APPROVAL 徐燦霖 DATE

REVISION DATE

DIMENSIONS ARE IN MILLIMETERS

UNLESS OTHERWISE SPECIFIED
TOLERANCE

0.5-5=±0.2 120-315=±1

5-30=±0.4 315-1000=±1.6

30-120=±0.6 1000-2000=±2.4

SCALE 4:1 SIZE A

REVISION

DESCRIPTION ENGINEER