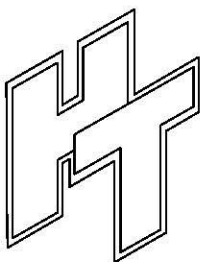
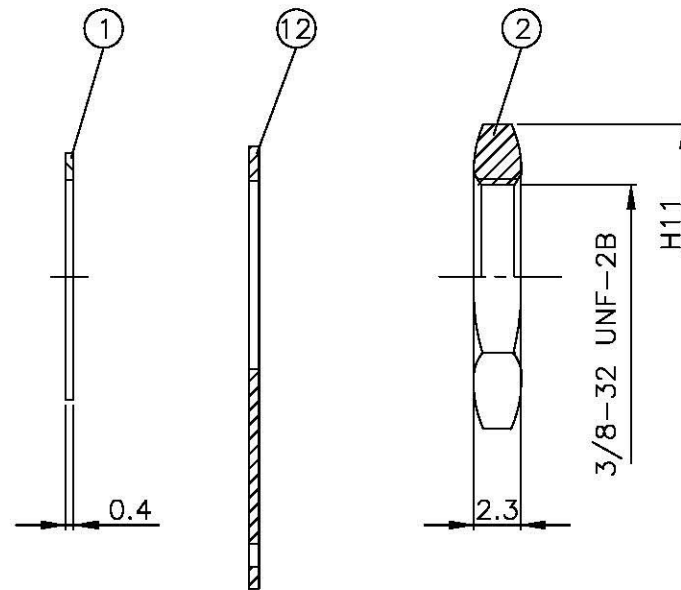
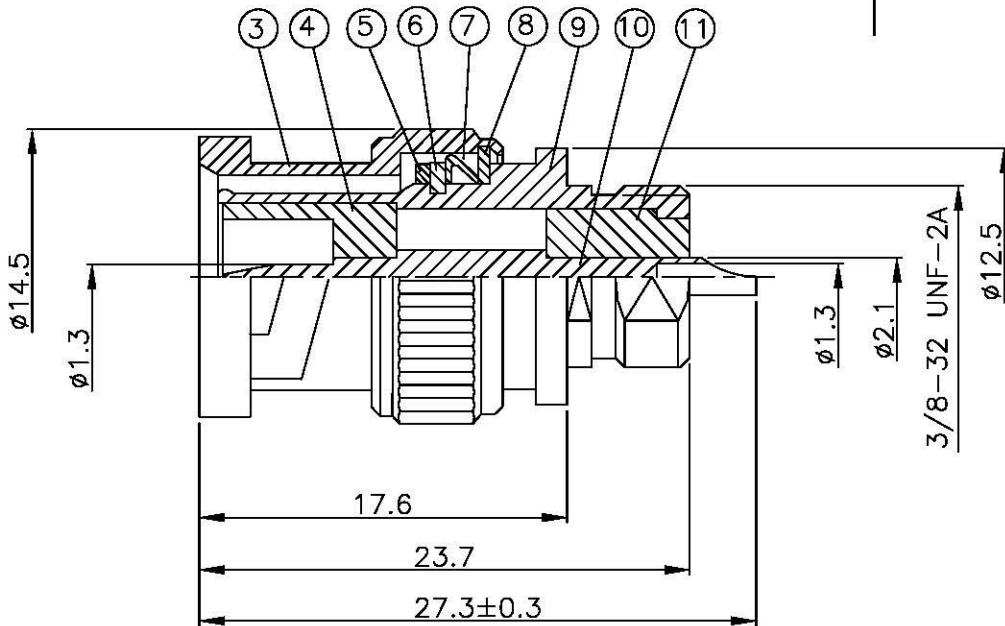
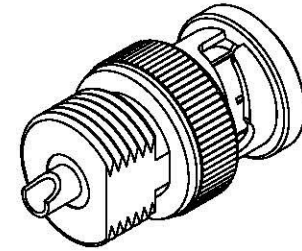
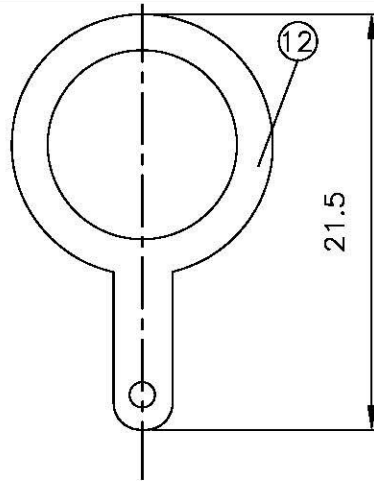


NO	DESCRIPTION	MATERIAL	Q'TY	FINISH
1	WASHER	BRASS	1	NICKEL
2	NUT	BRASS	1	NICKEL
3	SHELL	BRASS	1	NICKEL
4	INSULATION	DELRIN	1	DELRIN
5	GASKET	RUBBER	1	RUBBER
6	WASHER	BRASS	1	NICKEL
7	SPRING	SK-5	1	NICKEL
8	WASHER	BRASS	1	NICKEL
9	BODY	BRASS	1	NICKEL
10	PIN	BRASS	1	GOLD
11	INSULATION	DELRIN	1	DELRIN
12	WASHER	BRASS	1	NICKEL



**All Connectors**

www.allconnectors.de  
Tel.: 0049 711 7009003  
info@allconnectors.de  
Fax: 0049 711 7009004  
Kellerstr. 22  
40699 Düsseldorf, Germany

TITLE **BNC BULKHEAD MALE RECEPTACLE**

PART NO. **BNC-17-DGN**

DRAWING NO. **BNC 17 DGN**

DRAWN **MARY** DATE **96.06.28**

CHECKED **蘇志欣** DATE

Q.A. **蘇姿潔** DATE

APPROVAL **徐燦霖** DATE

REVISION DATE

DIMENSIONS ARE IN MILLIMETERS

UNLESS OTHERWISE SPECIFIED TOLERANCE

0.5-5=±0.2 120-315=±1  
5-30=±0.4 315-1000=±1.6  
30-120=±0.6 1000-2000=±2.4

SCALE **4:1** SIZE **A**

REVISION

DESCRIPTION ENGINEER

DESCRIPTION	ENGINEER

4

3

2

1