

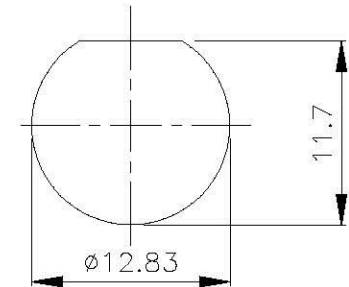
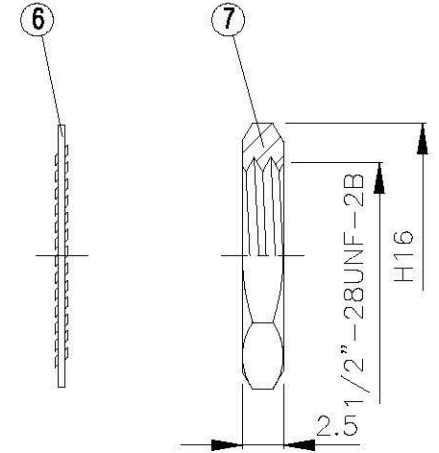
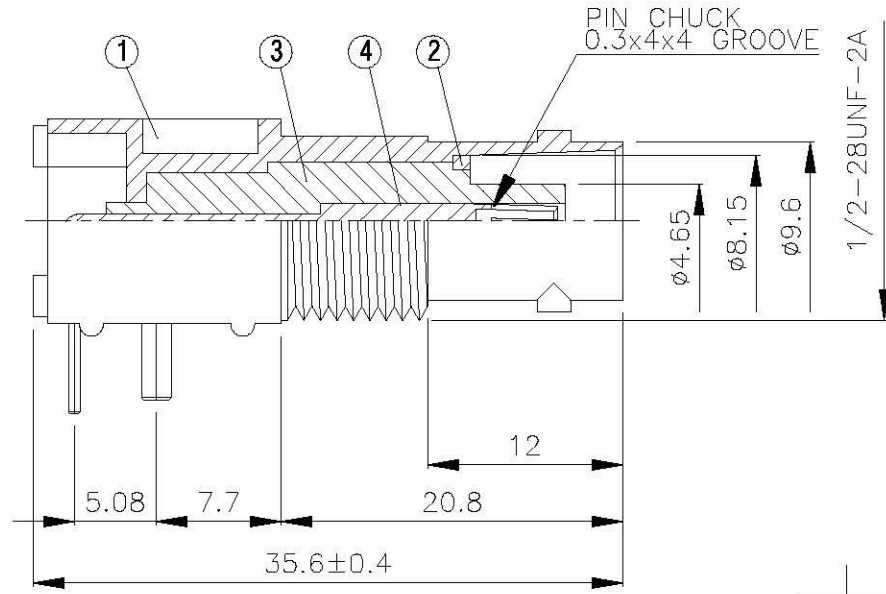
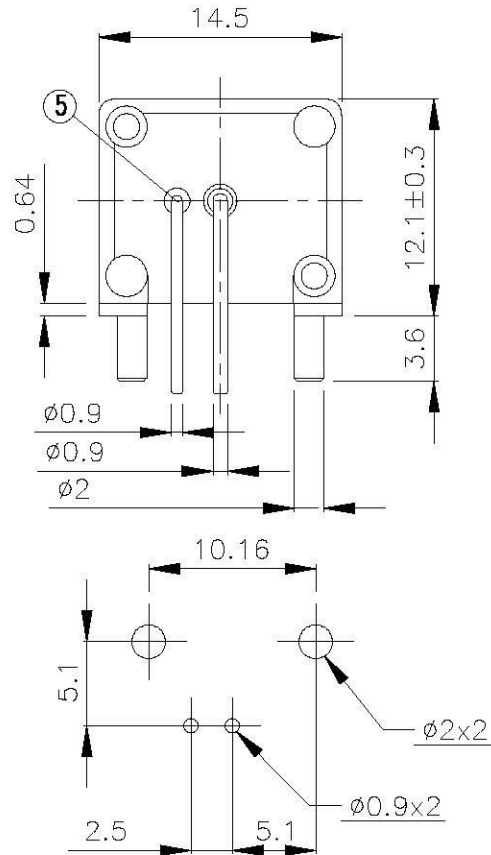
NO	DESCRIPTION	MATERIAL	Q'TY	FINISH
1	BODY	ZINC	1	NICKEL
2	WASHER	BRASS	1	NICKEL
3	INSULATION	DELRIN	1	DELRIN
4	PIN	BRASS	1	GOLD
5	GROUNDING	COPPER	1	TIN
6	WASHER	BRASS	1	NICKEL
7	NUT	BRASS	1	NICKEL

D

C

B

A

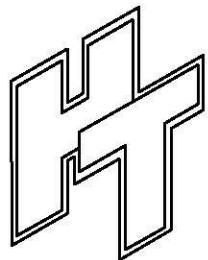


D

C

B

A



**All Connectors**  
 www.allconnectors.de  
 Tel: +49 71 33 900400  
 08751 Hildebrandt - Germany

**TITLE BNC RIGHT ANGLE FEMALE PCB RECEPTACLE**

**PART NO. BNC-16V4-DGN**

**DRAWING NO. BNC 16V4 DGN**

**DRAWN MARY** **DATE 91.01.08**

**CHECKED 蘇姿潔** **DATE**

**Q.A. 馮健華** **DATE**

**APPROVAL 徐燦霖** **DATE**

**REVISION** **DATE**

**DIMENSIONS ARE IN MILLIMETERS**

**UNLESS OTHERWISE SPECIFIED TOLERANCE**

0.5-5=±0.2    120-315=±1  
 5-30= ±0.4    315-1000=±1.6  
 30-120±0.6    1000-2000=±2.4

**SCALE 4:1** **SIZE A**

**REVISION**

**DESCRIPTION** **ENGINEER**

4

3

2

1