

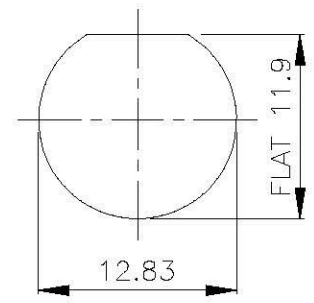
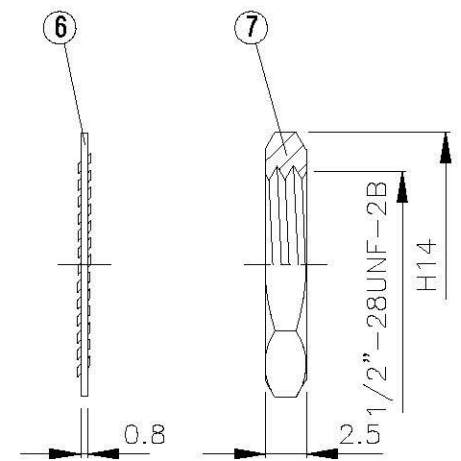
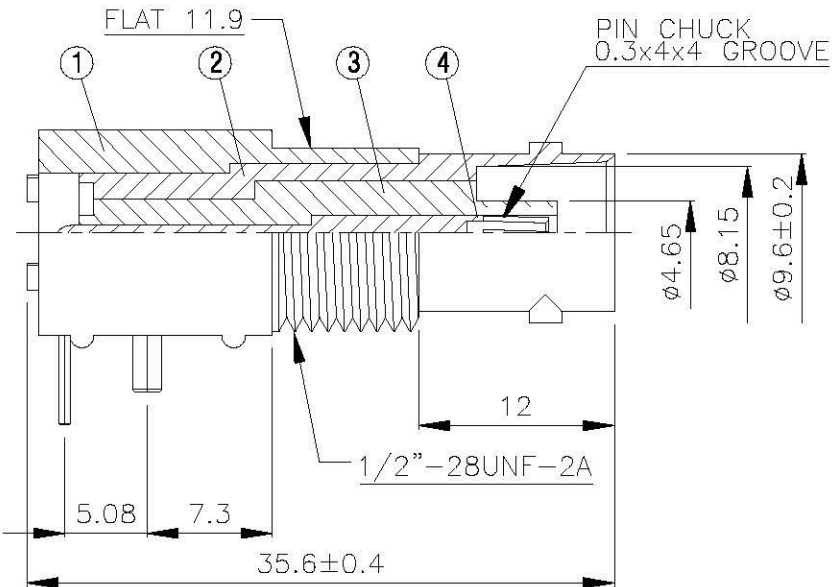
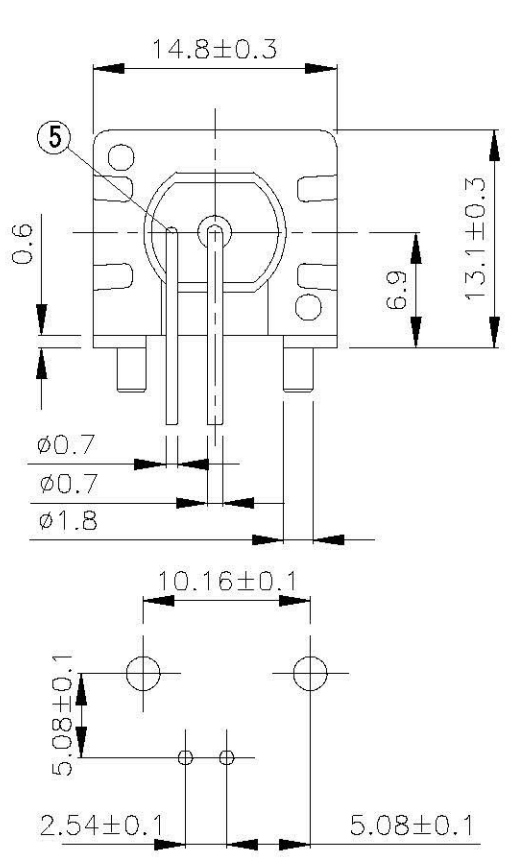
NO	DESCRIPTION	MATERIAL	Q'TY	FINISH
1	HOUSING	PBT	1	WHITE
2	BODY	BRASS	1	NICKEL
3	INSULATION	TEFLON	1	TEFLON
4	PIN	BRASS	1	GOLD
5	GROUNDING	COPPER	1	TIN
6	WASHER	BRASS	1	NICKEL
7	NUT	BRASS	1	NICKEL

D

C

B

A

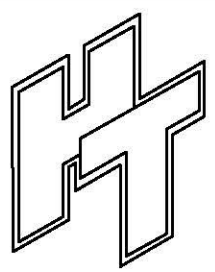


D

C

B

A



All Connectors
 www.allconnectors.de info@allconnectors.de
 Tel.: 0049 711 7064103 Fax: 0049 711 7064104
 20794 Hildesheim, Germany Kallmeyerstr. 25

TITLE BNC RIGHT ANGLE FEMALE PCB RECEPTACLE

PART NO. BNC-16-DGN

DRAWING NO. BNC 16 DGN

DRAWN MARY	DATE 96.08.14
CHECKED 蘇志欣	DATE
Q.A. 蘇姿潔	DATE
APPROVAL 徐燦霖	DATE
REVISION	DATE

DIMENSIONS ARE IN MILLIMETERS			
UNLESS OTHERWISE SPECIFIED TOLERANCE			
0.5-5=±0.2	120-315=±1		
5-30=±0.4	315-1000=±1.6		
30-120±0.6	1000-2000=±2.4		
SCALE 4:1	SIZE A		

REVISION	
DESCRIPTION	ENGINEER

4

3

2

1