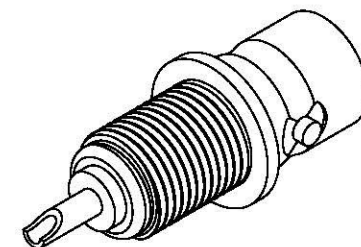


NO	DESCRIPTION	MATERIAL	Q'TY	FINISH	REMARK
1	PIN	BRASS	1	GOLD	P-TNC0229-G
2	INSULATION	DELIN	1	DELIN	I-0153D
3	INSULATION	DELIN	1	DELIN	I-0001D
4	BODY	BRASS	1	NICKEL	B-BNC0357-N
5	WASHER	BRASS	1	NICKEL	W-0003-N
6	WASHER	BRASS	1	NICKEL	W-0021-N
7	NUT	BRASS	1	NICKEL	N-0010-N



D

D

C

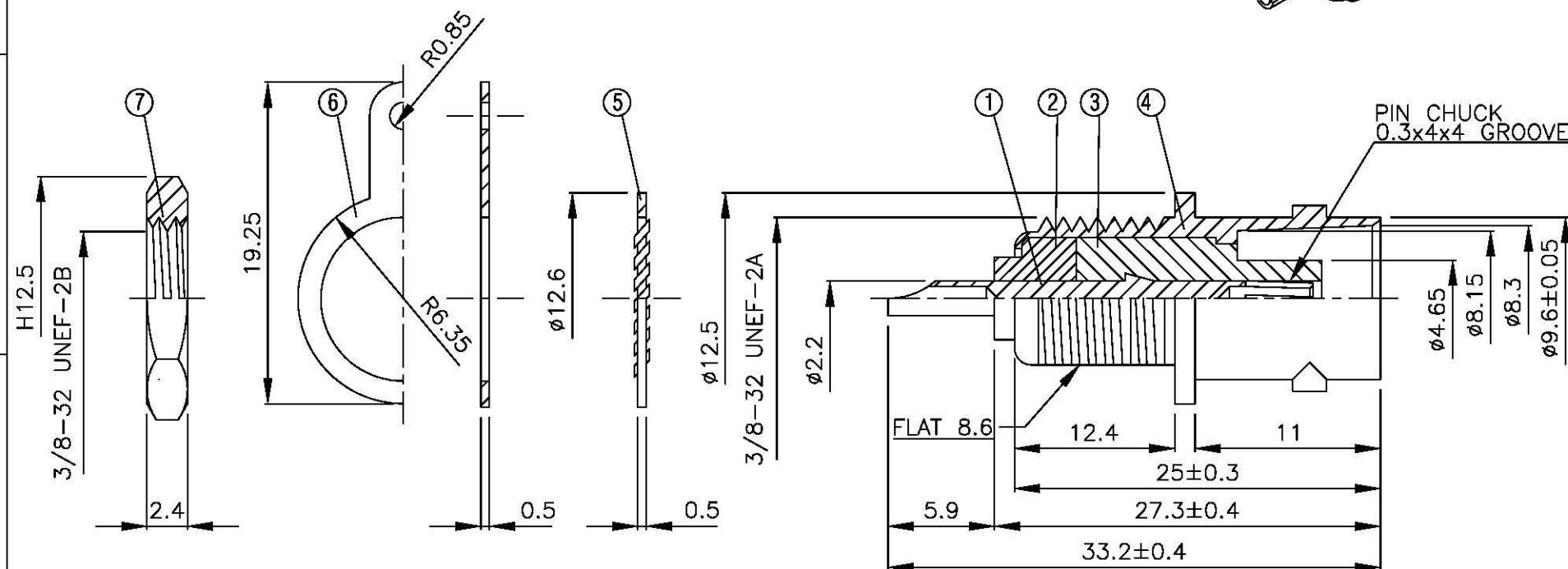
C

B

B

A

A



		DRAWN	MARY	DATE	95.11.27	DIMENSIONS ARE IN MILLIMETERS		REVISION			
	<small>www.allconnectors.de tel. 0049 724 70000 70795 Hildesheim, Germany</small>	<small>info@allconnectors.de fax. 0049 724 70004 Kulturstraße 22</small>	CHECKED	黄巧君	DATE		UNLESS OTHERWISE SPECIFIED TOLERANCE		DESCRIPTION	ENGINEER	
	TITLE		BNC BULKHEAD FEMALE RECEPTACLE	Q.A.	蘇姿潔	DATE		0.5-5=±0.2	120-315=±1		
	PART NO.		BNC-15V4-DGN	APPROVAL	徐燦霖	DATE		5-30=±0.4	315-1000=±1.6		
	DRAWING NO.		BNC 15V4 DGN	REVISION		DATE		30-120±0.6	1000-2000=±2.4		
			SCALE	4:1	SIZE	A					

4

3

2

1