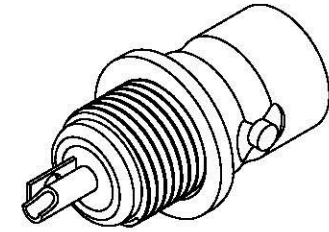
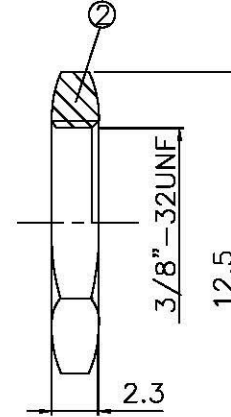
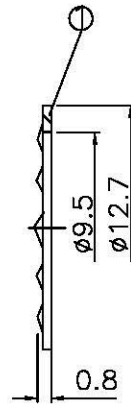


NO	DESCRIPTION	MATERIAL	Q'TY	FINISH
1	WASHER	BRASS	1	NICKEL
2	NUT	BRASS	1	NICKEL
3	WASHER	BRASS	1	NICKEL
4	INSULATION	DELRIN	1	DELRIN
5	PIN	BRASS	1	GOLD
6	BODY	BRASS	1	NICKEL
7	INSULATION	DELRIN	1	DELRIN



D

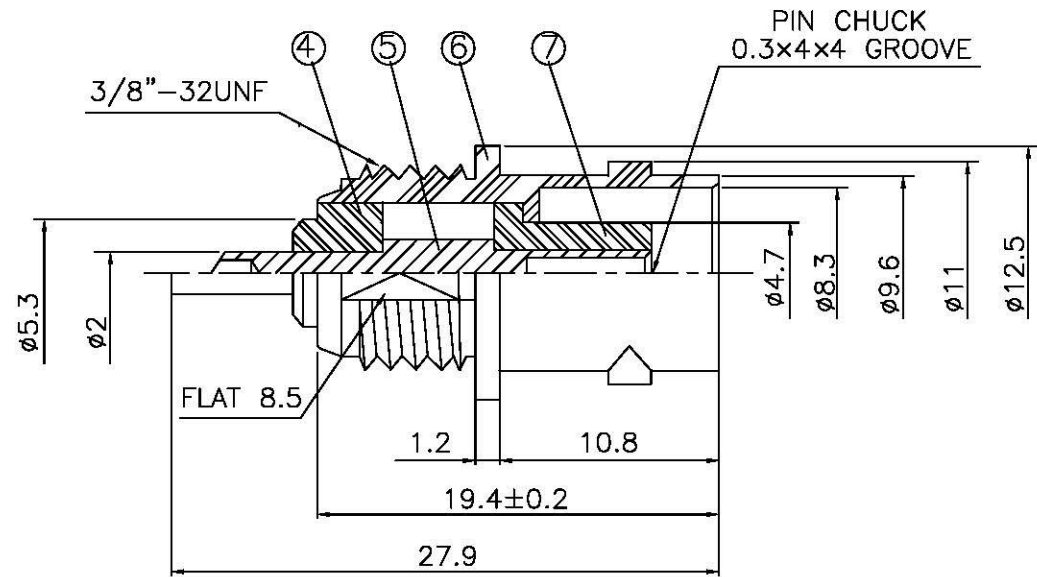
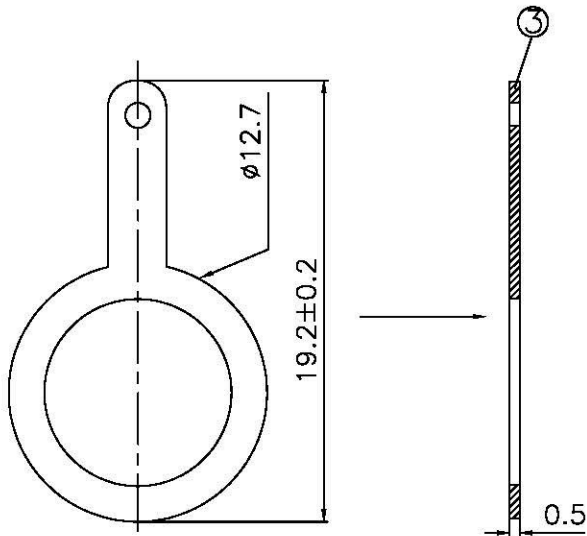
D

C

C

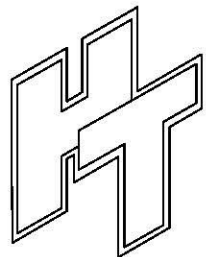
B

B



A

A



All Connectors

www.allconnectors.de
Tel: 0049 711 7000500
48 794 Hildersloh, Germany

info@allconnectors.de
Fax: 0049 711 7000501
Kottenerstr. 25

TITLE **BNC BULKHEAD FEMALE RECEPTACLE**

PART NO. **BNC-15-DGN**

DRAWING NO. **BNC 15 DGN**

DRAWN **MARY**

DATE **96.06.28**

CHECKED

蘇志欣

DATE

Q.A.

蘇姿潔

DATE

APPROVAL

徐燦霖

DATE

REVISION

DATE

DIMENSIONS ARE IN MILLIMETERD

UNLESS OTHERWISE SPECIFIED TOLERANCE

0.5-5=±0.2 120-315=±1
5-30=±0.4 315-1000=±1.6
30-120=±0.6 1000-2000=±2.4

SCALE **4:1** SIZE **A**

REVISION

DESCRIPTION

ENGINEER

4

3

2

1