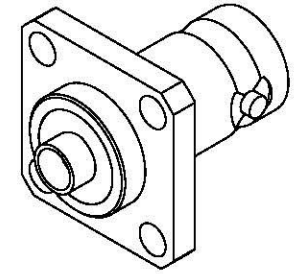
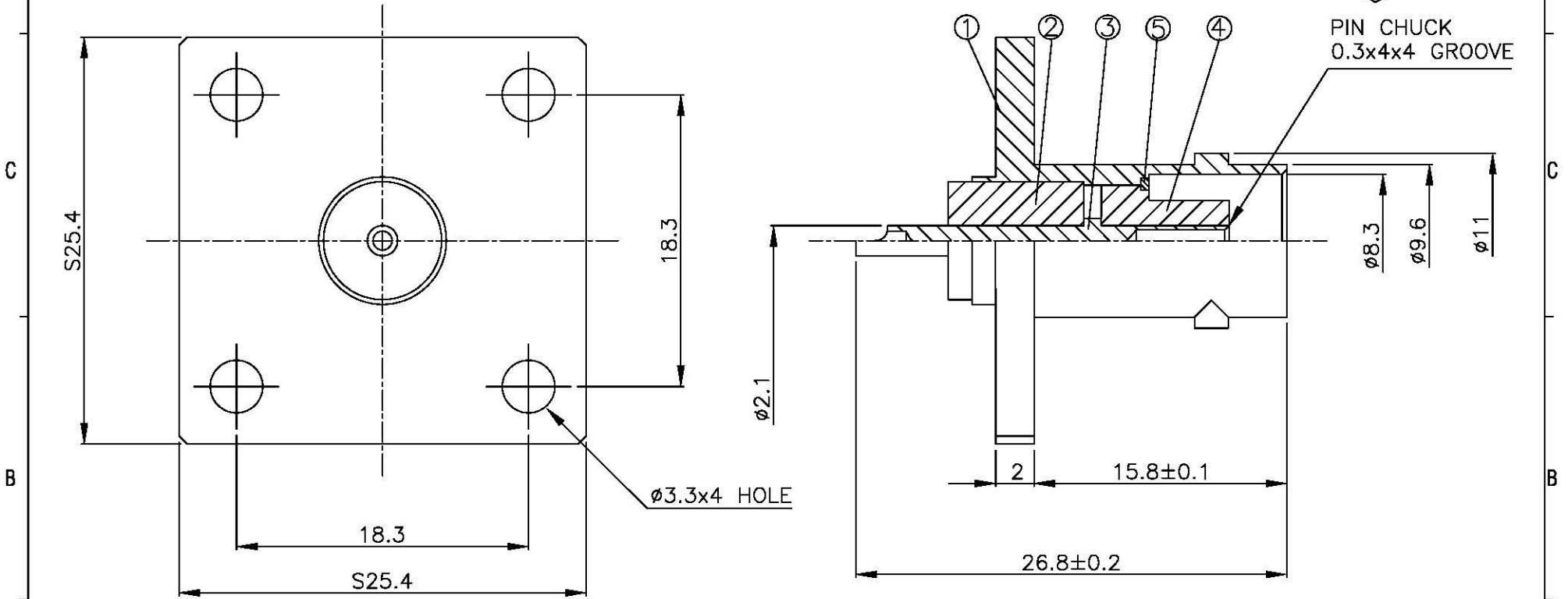
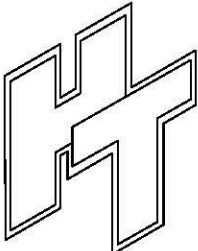



| NO | DESCRIPTION | MATERIAL | Q'TY | FINISH |
|----|-------------|----------|------|--------|
| 1 | BODY | BRASS | 1 | NICKEL |
| 2 | INSULATION | TEFLON | 1 | TEFLON |
| 3 | PIN | BRASS | 1 | GOLD |
| 4 | INSULATION | TEFLON | 1 | TEFLON |
| 5 | WASHER | BRASS | 1 | NICKEL |



PIN CHUCK
0.3x4x4 GROOVE



| | | | | | | |
|---|--|-----------------------------|---|-----|-------------|----------|
|  |  <small>www.allconnectors.com Tel: 0049 7141 7009508 29234 Hildersdall - Germany</small> | DRAWN MARY DATE 96.06.28 | DIMENSIONS ARE IN MILLIMETERS | | REVISION | |
| | TITLE PANEL FEMALE RECEPTACLE | CHECKED 蘇志欣 DATE | UNLESS OTHERWISE SPECIFIED TOLERANCE | | DESCRIPTION | ENGINEER |
| | PART NO. BNC-14V2-TGN | Q.A. 蘇姿潔 DATE | 0.5-5=±0.2 120-315=±1 5-30=±0.4 315-1000=±1.6 30-120=±0.6 1000-2000=±2.4 | | | |
| | DRAWING NO. BNC 14V2 TGN | APPROVAL 徐燦霖 DATE | SCALE | 4:1 | SIZE | A |
| | | REVISION DATE | | | | |