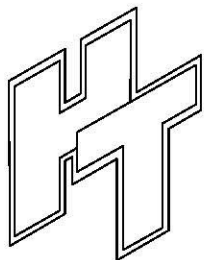
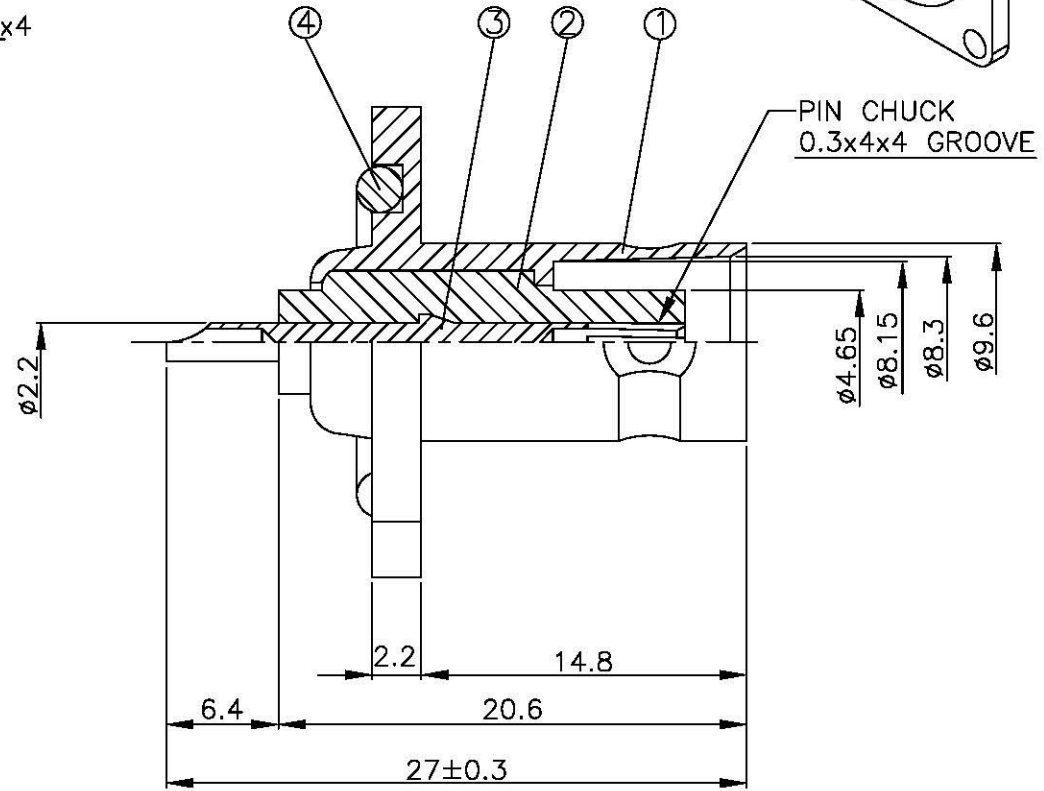
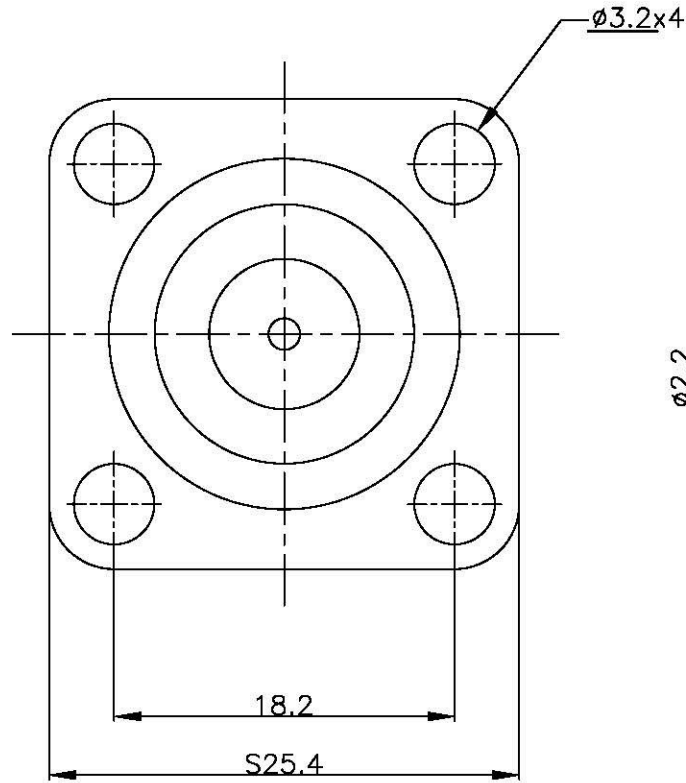
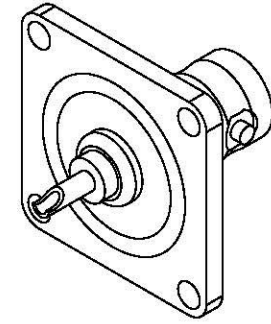


NO	DESCRIPTION	MATERIAL	Q'TY	FINISH	REMARK
1	BODY 1	BRASS	1	NICKEL	B-BNC1076-N
2	INSULATION	TEFLON	1	TEFLON	I-0001T
3	PIN	BRASS	1	GOLD	P-TNC0076-G
4	GASKET	SI RUBBER	1	RUBBER	RU-0009



**All Connectors**  
 HANNOVER, GERMANY  
 Tel.: 0049 711 7009503  
 Fax: 0049 711 7009504  
 Kottb. 25

TITLE  
**BNC PANEL FEMALE RECEPTACLE**

PART NO.  
**BNC-14V12-TGN**

DRAWING NO.  
**BNC-14V12-TGN**

DRAWN  
**MARY**

DATE  
**96.06.18**

CHECKED  
**蘇志欣**

DATE

Q.A.  
**蘇姿潔**

DATE

APPROVAL  
**徐燦霖**

DATE

REVISION

DATE

**DIMENSIONS ARE IN MILLIMETERS**

UNLESS OTHERWISE SPECIFIED  
 TOLERANCE

0.5-5=±0.2	120-315=±1
5-30=±0.4	315-1000=±1.6
30-120=±0.6	1000-2000=±2.4

SCALE: 4:1    SIZE: A

**REVISION**

DESCRIPTION	ENGINEER