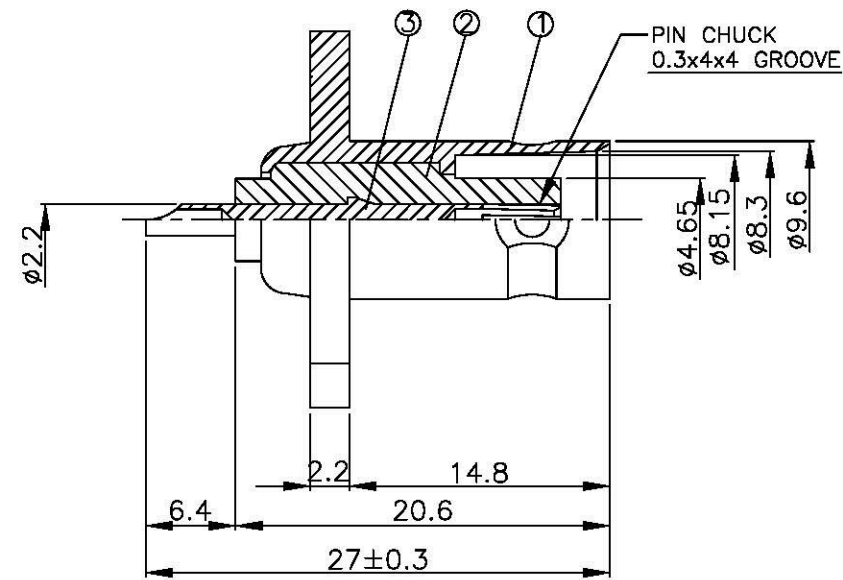
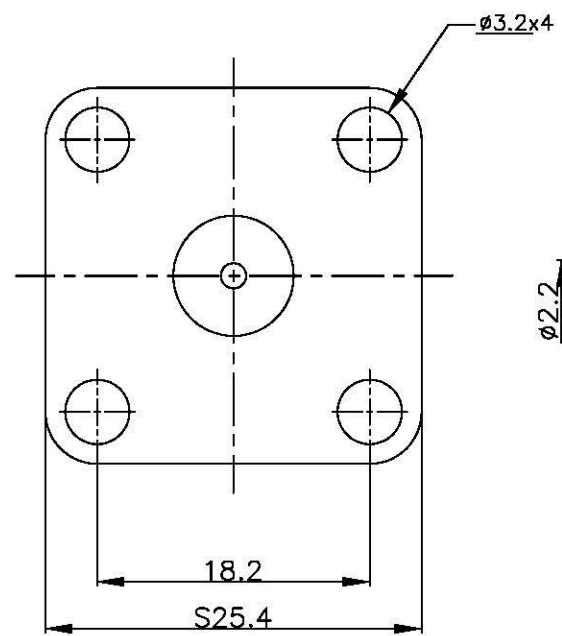
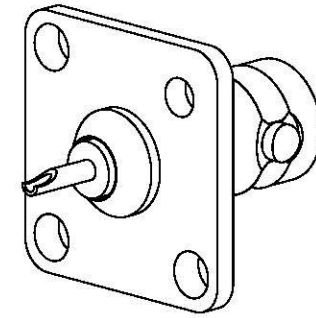
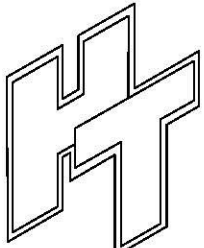



NO	DESCRIPTION	MATERIAL	Q'TY	FINISH	REMARK
1	BODY 1	BRASS	1	NICKEL	B-BNC0918-N
2	INSULATION	TEFLON	1	TEFLON	I-0001T
3	PIN	BRASS	1	GOLD	P-TNC0076-G



	 <small>www.allconnectors.de Tel: 0049 711 7009503 70744 Plochingen, Germany</small>	DRAWN MARY CHECKED 蘇志欣 Q.A. 蘇姿潔 APPROVAL 徐燦霖 REVISION	DATE 96.06.18 DATE DATE DATE	DIMENSIONS ARE IN MILLIMETERS UNLESS OTHERWISE SPECIFIED TOLERANCE 0.5-5=±0.2    120-315=±1 5-30=±0.4    315-1000=±1.6 30-120=±0.6    1000-2000=±2.4 SCALE 4:1    SIZE A	REVISION DESCRIPTION    ENGINEER	
	TITLE BNC PANEL FEMALE RECEPTACLE	PART NO. BNC-14V11-TGN	DRAWING NO. BNC 14V11 TGN			