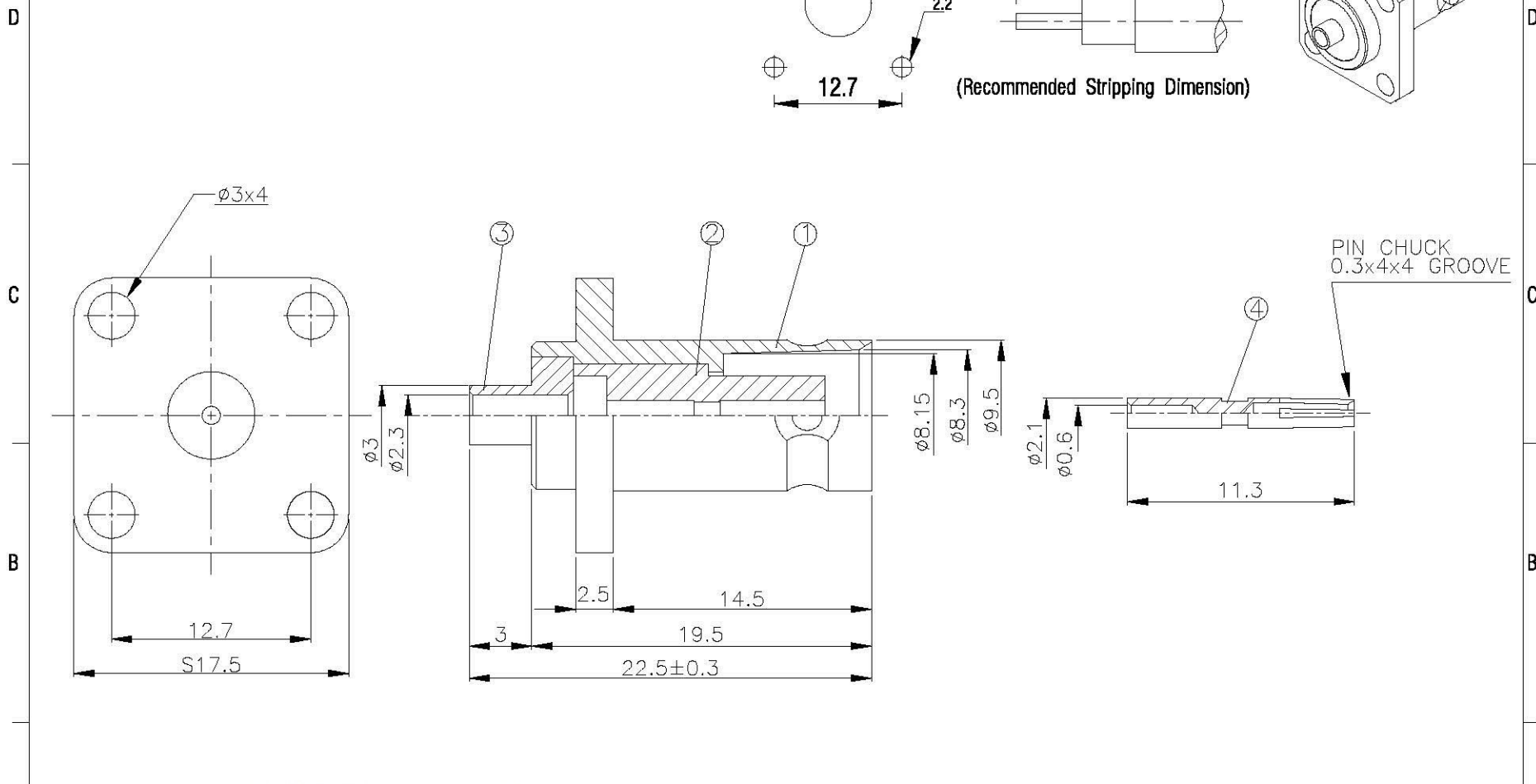
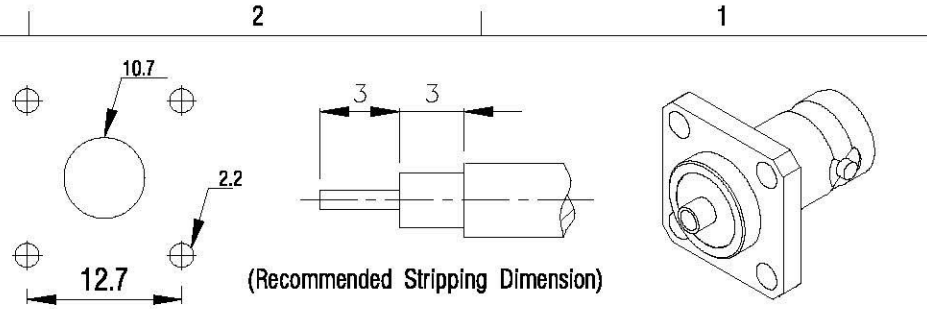


NO	DESCRIPTION	MATERIAL	Q'TY	FINISH	REMARK
1	BODY 1	BRASS	1	NICKEL	B-BNC0475-N
2	INSULATION	TEFLON	1	TEFLON	I-0231T
3	BODY 2	BRASS	1	GOLD	B-TNC0921-N
4	PIN	BE CU	1	GOLD	P-BNC0314-G



	<b>All Connectors</b> <small>www.allconnectors.de    info@allconnectors.de</small> <small>44149 DUISBURG    44149 DUISBURG</small> <small>70784 Filzmoserstadt Germany    Kettwieschen 25</small>	<b>DRAWN</b> MARY <b>DATE</b> 97.01.28 <b>CHECKED</b> 蘇志欣 <b>DATE</b> <b>Q.A.</b> 蘇姿潔 <b>DATE</b> <b>APPROVAL</b> 徐燦霖 <b>DATE</b> <b>REVISION</b> <b>DATE</b>	<b>DIMENSIONS ARE IN MILLIMETERS</b> <b>UNLESS OTHERWISE SPECIFIED TOLERANCE</b> 0.5-5=±0.2    120-315=±1 5-30=±0.4    315-1000=±1.6 30-120=±0.6    1000-2000=±2.4 <b>SCALE</b> 4:1 <b>SIZE</b> A	<b>REVISION</b> <b>DESCRIPTION</b> <b>ENGINEER</b>
	<b>TITLE</b> BNC PANEL FEMALE SOLDER FOR RG 405(.085")			
	<b>PART NO.</b> BNC-14V1-TGN-1			
	<b>DRAWING NO.</b> BNC 14V1 TGN-1			