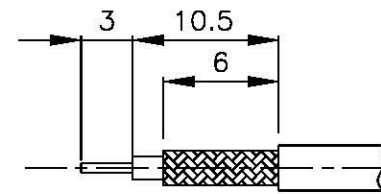
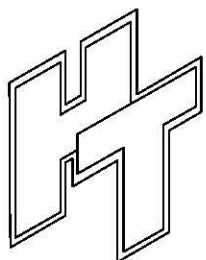
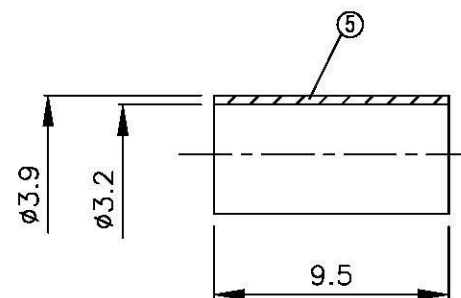
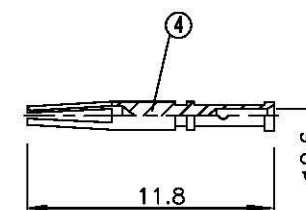
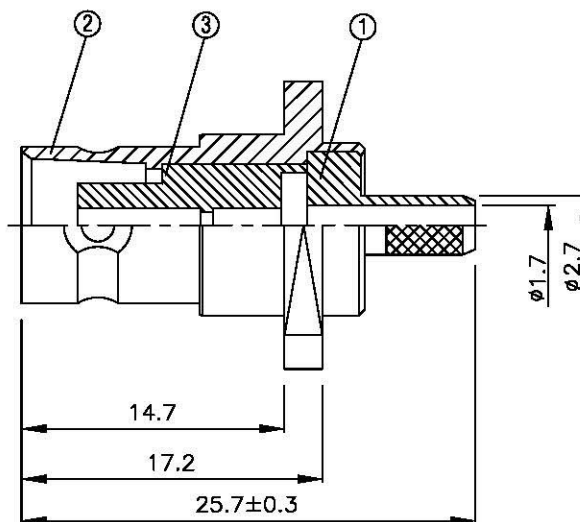
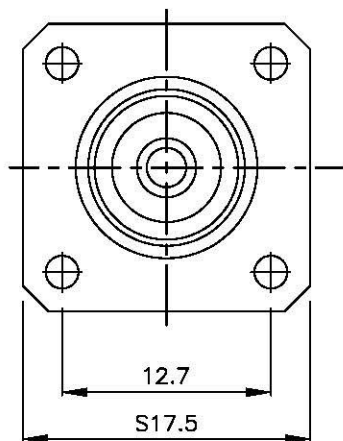
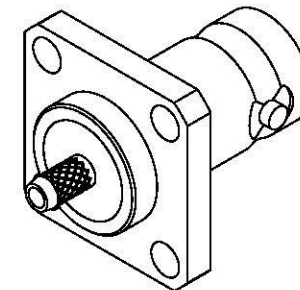


NO	DESCRIPTION	MATERIAL	Q'TY	FINISH
1	BODY 1	BRASS	1	NICKEL
2	BODY 2	BRASS	1	NICKEL
3	INSULATION	TEFLON	1	TEFLON
4	PIN	PH.BRONZE	1	GOLD
5	RING	BRASS	1	NICKEL



(Recommended Stripping Dimension)



All Connectors

www.allconnectors.de
Tel: 0049 7331 4981500
70754 Pfullendorf, Germany

info@allconnectors.de
Fax: 0049 7331 7000894
www.mh-netz.de

TITLE BNC FEMALE PANEL CRIMP
FOR RG-174/U,316/U

PART NO. BNC-14LV1-TGN

DRAWING NO. BNC 14LV1 TGN

DRAWN DATE 94.03.31

CHECKED 蘇志欣 DATE

Q.A. 蘇姿潔 DATE

APPROVAL 徐燦霖 DATE

REVISION DATE

DIMENSIONS ARE IN MILLIMETERS

UNLESS OTHERWISE SPECIFIED
TOLERANCE

0.5-5=±0.2 120-315=±1

5-30=±0.4 315-1000=±1.6

30-120=±0.6 1000-2000=±2.4

SCALE 4:1 SIZE A

REVISION

DESCRIPTION ENGINEER