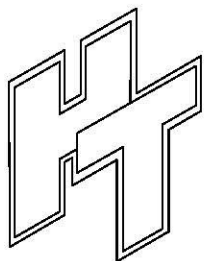
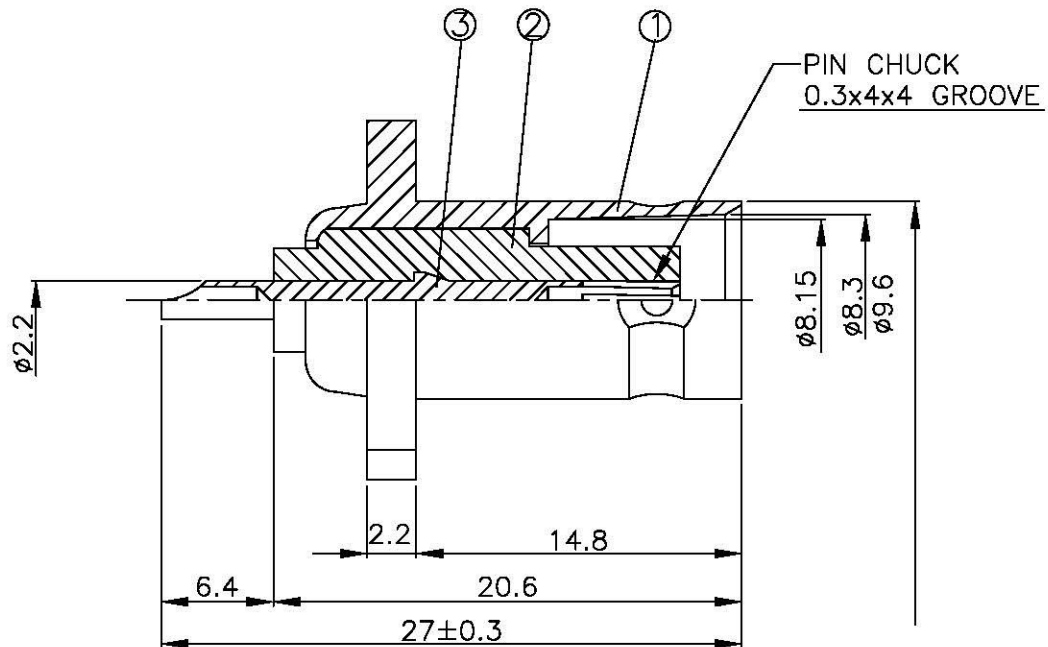
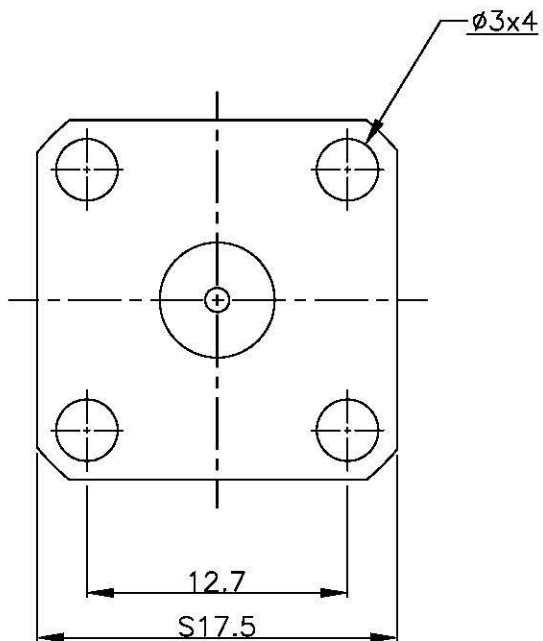
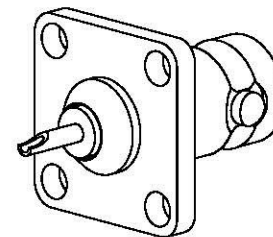


NO	DESCRIPTION	MATERIAL	Q'TY	FINISH	REMARK
1	BODY	BRASS	1	NICKEL	B-BNC0477-N
2	INSULATION	TEFLON	1	TEFLON	I-0200T
3	PIN	BRASS	1	GOLD	P-TNC0076-G



All Connectors
 www.allconnectors.de
 info@allconnectors.de
 Tel.: 0049 711 7005005 Fax: 0049 711 7005004
 70754 Filberstadt - Germany Kettnerstr. 25

TITLE
BNC PANEL FEMALE RECEPTACLE

PART NO.
BNC-14-TGN

DRAWING NO.
BNC 14 TGN

DRAWN **MARY** DATE **96.06.28**

CHECKED **蘇志欣** DATE

Q.A. **蘇姿潔** DATE

APPROVAL **徐燦霖** DATE

REVISION DATE

DIMENSIONS ARE IN MILLIMETERS

UNLESS OTHERWISE SPECIFIED
 TOLERANCE

0.5-5=±0.2	120-315=±1
5-30=±0.4	315-1000=±1.6
30-120=±0.6	1000-2000=±2.4

SCALE **4:1** SIZE **A**

REVISION

DESCRIPTION	ENGINEER