

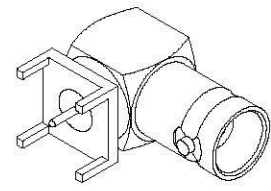
4

3

2

1

NO	DESCRIPTION	MATERIAL	Q'TY	FINISH
1	BODY 1	BRASS	1	NICKEL
2	PIN 1	BRASS	1	GOLD
3	INSULATION	TEFLON	1	TEFLON
4	BODY 2	BRASS	1	NICKEL
5	PIN 2	BRASS	1	GOLD
6	INSULATION	TEFLON	1	TEFLON



D

D

C

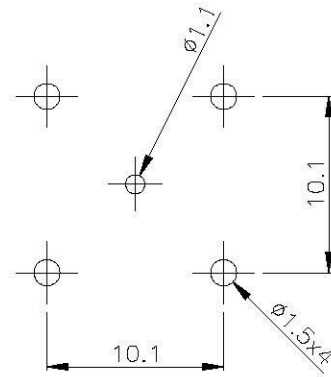
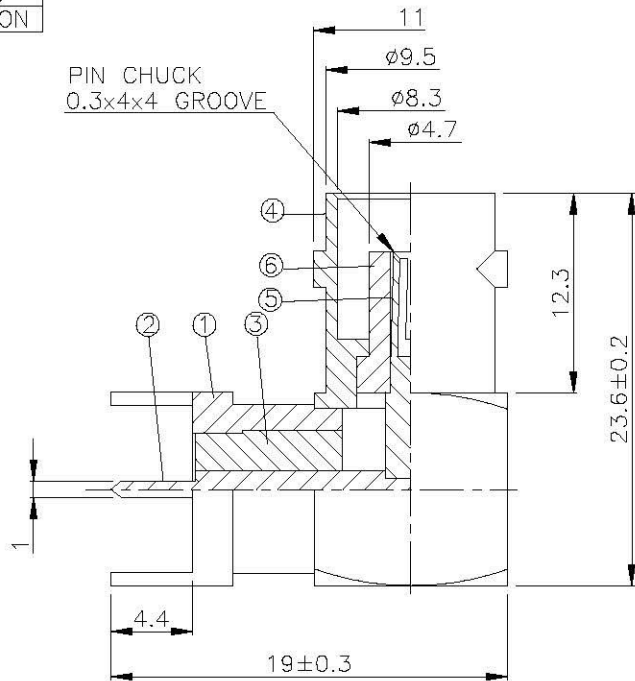
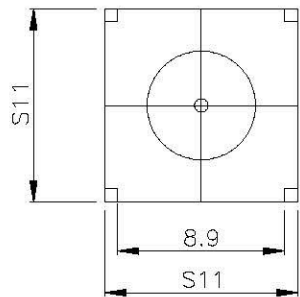
C

B

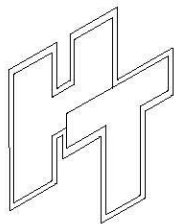
B

A

A



MOUNTING HOLE



All Connectors

33090110100000 - Germany  
 33090110100000 - Germany  
 33090110100000 - Germany

TITLE **BNC-RIGHT ANGLE FEMALE PC MOUNT**

PART NO. **BNC-13-TGN**

DRAWING NO. **BNC 13 TGN**

DRAWN MARY DATE 96.06.18

CHECKED 蘇志欣 DATE

Q.A. 蘇姿潔 DATE

APPROVAL 徐燦霖 DATE

REVISION DATE

DIMENSIONS ARE IN MILLIMETERS

UNLESS OTHERWISE SPECIFIED TOLERANCE

0.5-5= ±0.2 120-315=±1

5-30= ±0.4 315-1000=±1.6

30-120= ±0.6 1000-2000=±2.4

SCALE SIZE A

REVISION

DESCRIPTION ENGINEER

4

3

2

1