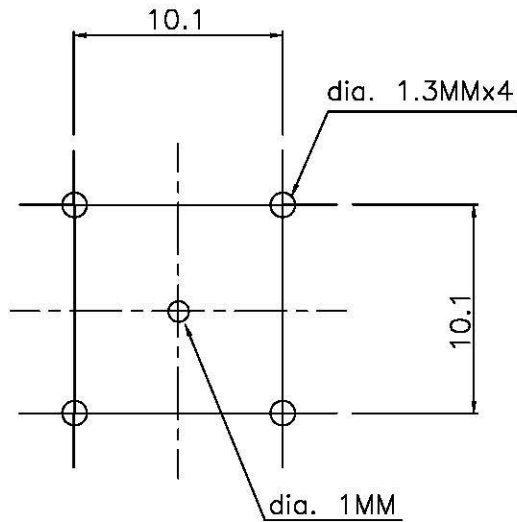
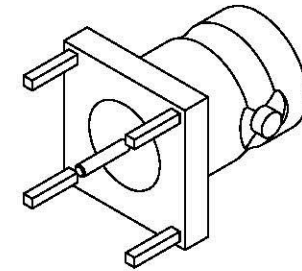
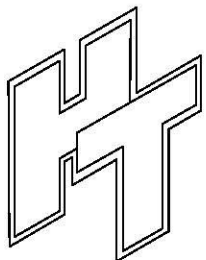
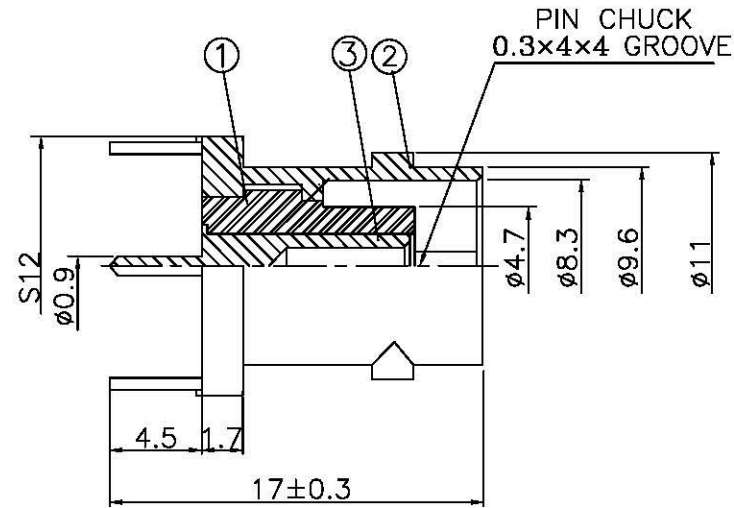


NO	DESCRIPTION	MATERIAL	Q'TY	FINISH
1	INSULATION	TEFLON	1	TEFLON
2	BODY	BRASS	1	NICKEL
3	PIN	BRASS	1	GOLD



MOUNTING HOLE



All Connectors

www.allconnectors.com info@allconnectors.com
Tel: 0049 211 2095503 Fax: 0545 211 2095504
75704 Filderstadt - Germany Ketbemerstr. 25

TITLE
BNC FEMALE PC MOUNT

PART NO.
BNC-12-TGN

DRAWING NO. **BNC 12 TGN**

DRAWN MARY

DATE 96.06.28

CHECKED 蘇志欣

DATE

Q.A. 蘇姿潔

DATE

APPROVAL 徐燦霖

DATE

REVISION

DATE

DIMENSIONS ARE IN MILLIMETERS

UNLESS OTHERWISE SPECIFIED
TOLERANCE

0.5-5=±0.2	120-315=±1
5-30=±0.4	315-1000=±1.6
30-120=±0.6	1000-2000=±2.4

SCALE 4:1 SIZE A

REVISION

DESCRIPTION	ENGINEER