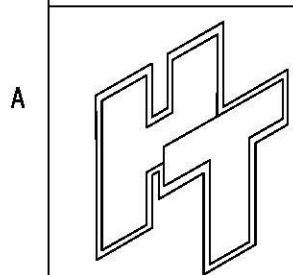
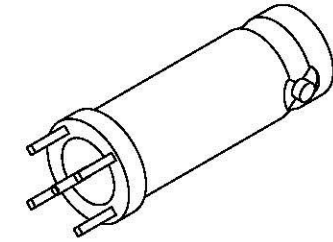
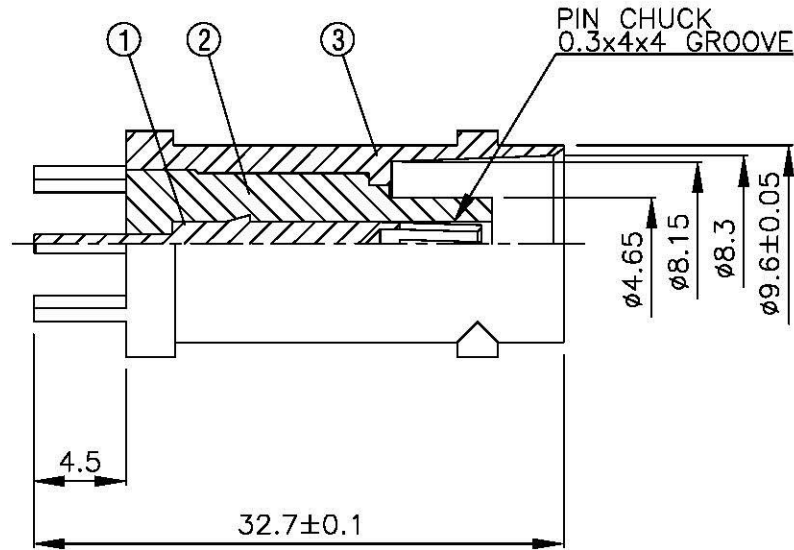
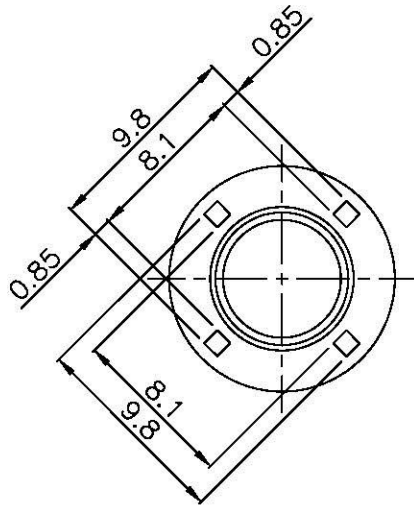


NO	DESCRIPTION	MATERIAL	Q'TY	FINISH
1	PIN	BRASS	1	GOLD
2	INSULATION	TEFLON	1	TEFLON
3	BODY	BRASS	1	NICKEL



Allconnectors
 www.allconnectors.de
 Tel.: 0049 711 7069563
 70754 Filzschmitt Germany

Info@allconnectors.de
 Fax: 0049 711 7069504
 Kettmehrerstr. 25

TITLE **BNC FEMALE PCB MOUNT**

PART NO. **BNC-11V6-TGN**

DRAWING NO. **BNC 11V6 TGN**

DRAWN **MARY** DATE **96.06.18**

CHECKED **蘇志欣** DATE

Q.A. **蘇姿潔** DATE

APPROVAL **徐燦霖** DATE

REVISION DATE

DIMENSIONS ARE IN MILLIMETERS

UNLESS OTHERWISE SPECIFIED TOLERANCE

0.5-5=±0.2 120-315=±1
 5-30=±0.4 315-1000=±1.6
 30-120±0.6 1000-2000=±2.4

SCALE **4:1** SIZE **A**

REVISION	
DESCRIPTION	ENGINEER