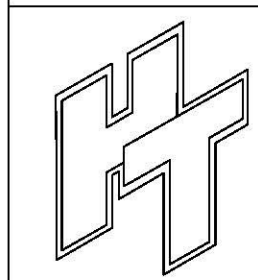
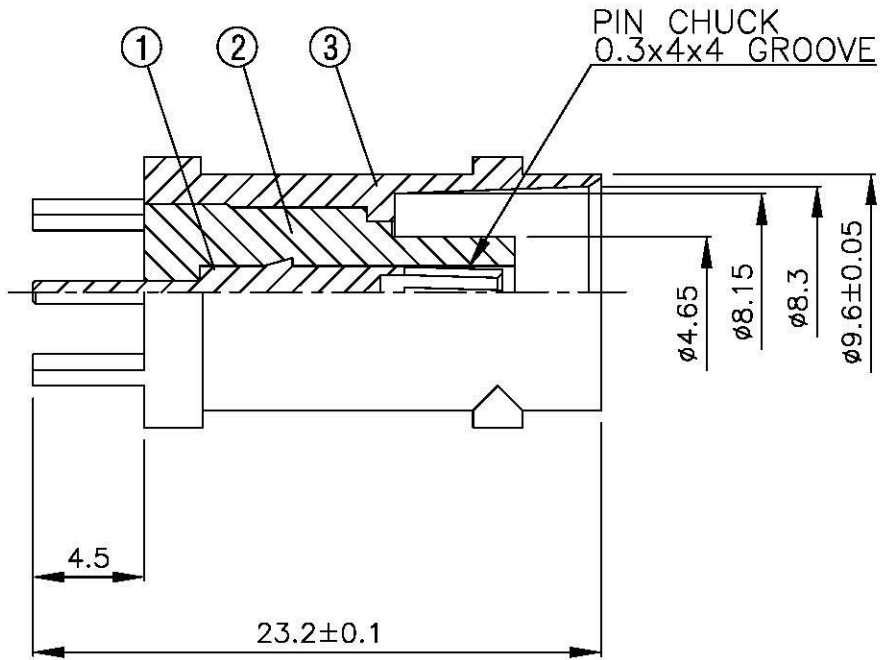
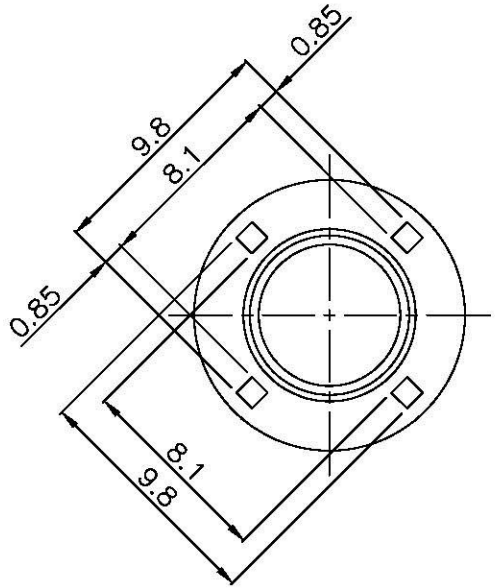
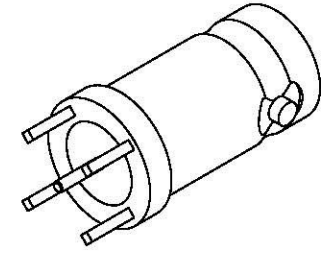


NO	DESCRIPTION	MATERIAL	Q'TY	FINISH	REMARK
1	PIN	BRASS	1	GOLD	P-BNC0444-G
2	INSULATION	TEFLON	1	TEFLON	I-0037T
3	BODY	BRASS	1	NICKEL	B-BNC0210-N



All Connectors
 www.allconnectors.de
 info@allconnectors.de
 Tel: 0049 711 2005503
 Fax: 0049 711 2005501
 70734 Ellersdorf - Germany
 Kettelerstr. 25

TITLE **BNC FEMALE PCB MOUNT**

PART NO. **BNC-11V4-TGN**

DRAWING NO. **BNC 11V4 TGN**

DRAWN **MARY** DATE **96.06.06**

CHECKED **蘇志欣** DATE

Q.A. **蘇姿潔** DATE

APPROVAL **徐燦霖** DATE

REVISION DATE

DIMENSIONS ARE IN MILLIMETERS

UNLESS OTHERWISE SPECIFIED TOLERANCE

0.5-5=±0.2 120-315=±1
 5-30= ±0.4 315-1000=±1.6
 30-120±0.6 1000-2000=±2.4

SCALE **4:1** SIZE **A**

REVISION	
DESCRIPTION	ENGINEER