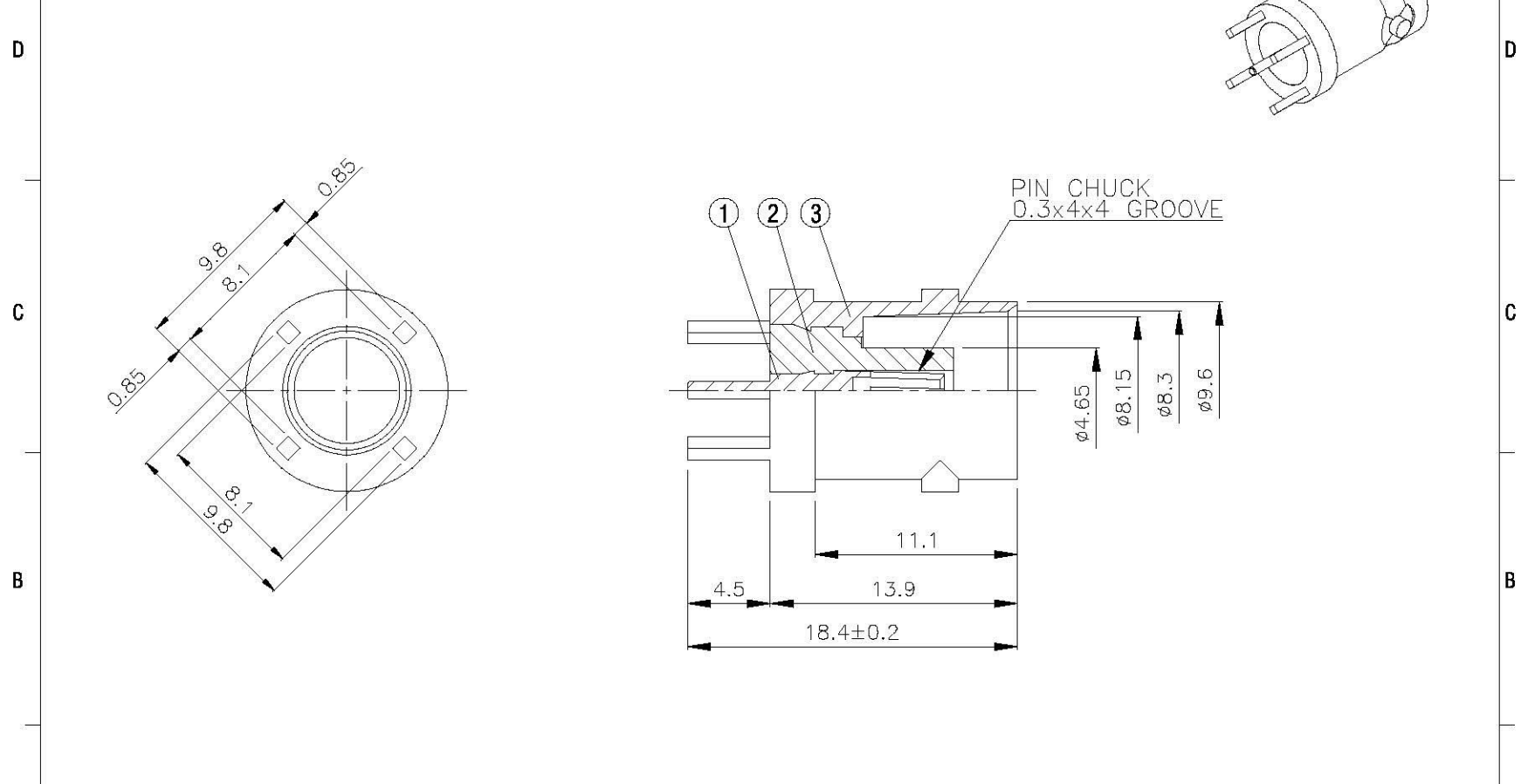
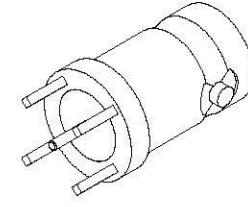
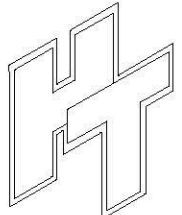



NO	DESCRIPTION	MATERIAL	Q'TY	FINISH	REMARK
1	PIN	BRASS	1	GOLD	P-BNC0008-G
2	INSULATION	TEFLON	1	TEFLON	I-0092T
3	BODY	BRASS	1	NICKEL	B-BNC0202-N



		DRAWN MARY DATE 96.06.30	DIMENSIONS ARE IN MILLIMETERS			REVISION	
	<small>www.allconnectors.de Tel.: 089 41 013 400/2024 78734 Filzschlössle Germany info@allconnectors.de Fax: 089 41 013 400/2025 kuestenstr. 25</small>	CHECKED 蘇志欣 DATE	UNLESS OTHERWISE SPECIFIED TOLERANCE			DESCRIPTION	ENGINEER
	TITLE BNC FEMALE PCB MOUNT	Q.A. 蘇姿潔 DATE	0.5-5=±0.2 120-315=±1				
	PART NO. BNC-11-TGN	APPROVAL 徐燦霖 DATE	5-30=±0.4 315-1000=±1.6				
	DRAWING NO. BNC 11 TGN	REVISION DATE	30-120±0.6 1000-2000=±2.4	SCALE 4:1	SIZE A		