

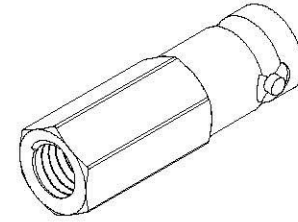
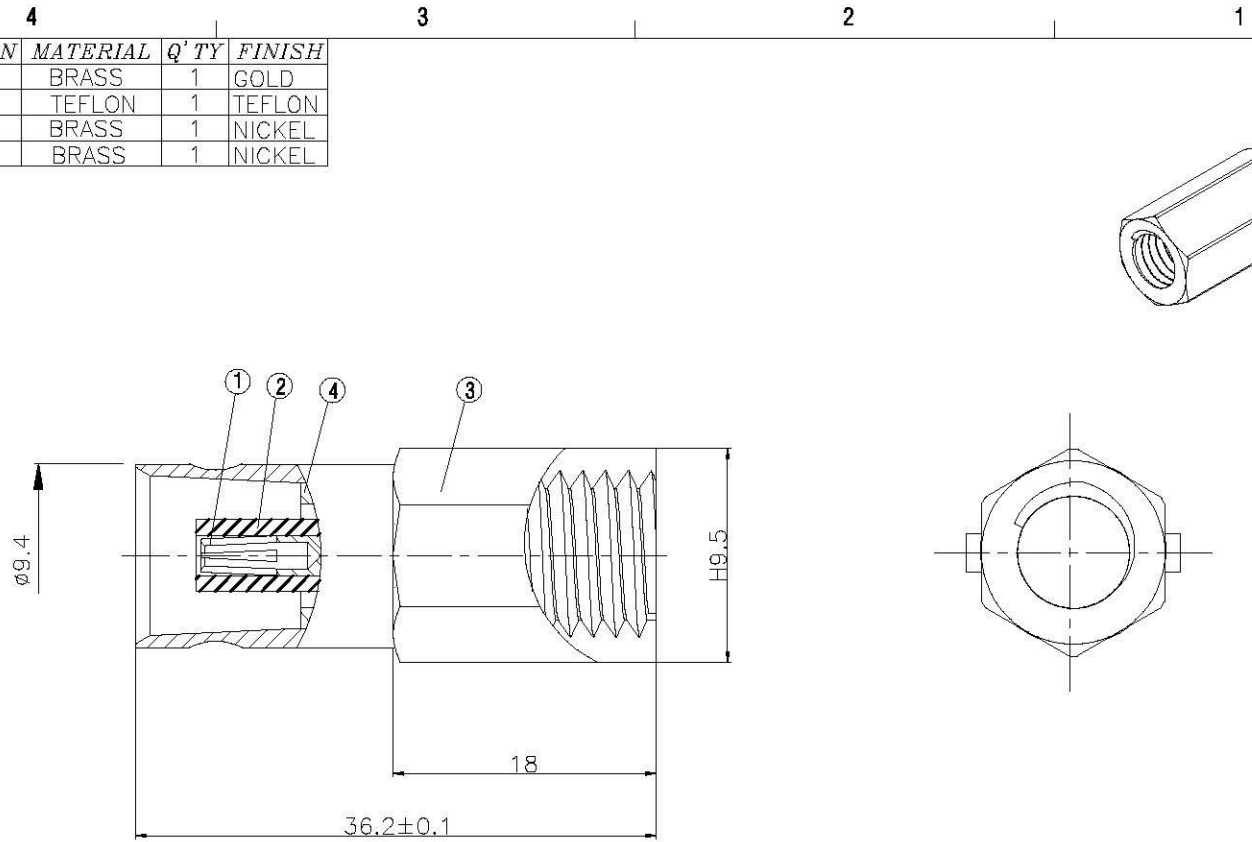
NO	DESCRIPTION	MATERIAL	Q'TY	FINISH
1	PIN	BRASS	1	GOLD
2	INSULATION	TEFLON	1	TEFLON
3	BODY 1	BRASS	1	NICKEL
4	WASHER	BRASS	1	NICKEL

D

C

B

A

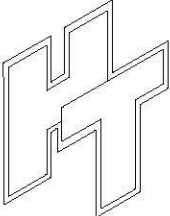


D

C

B

A

	All Connectors <small>www.allconnectors.de Tel: 0049 711 7069308 70756 Stuttgart - Germany</small>	DRAWN MARY CHECKED 蘇志欣 Q.A. 蘇姿潔 APPROVAL 徐燦霖 REVISION	DATE 06.10.11 DATE DATE DATE	DIMENSIONS ARE IN MILLIMETERS UNLESS OTHERWISE SPECIFIED TOLERANCE 0.5-5=±0.2 120-315=±1 5-30=±0.4 315-1000=±1.6 30-120≠0.6 1000-2000=±2.4	REVISION	
	TITLE BNC FEMALE TWIST ON FOR RG-58/U 50 OHM				DESCRIPTION	ENGINEER
	PART NO. BNC-10F-TGN					
	DRAWING NO. BNC 10F TGN					
	SCALE 4:1	SIZE A				

4

3

2

1