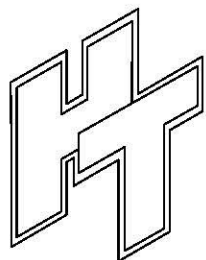
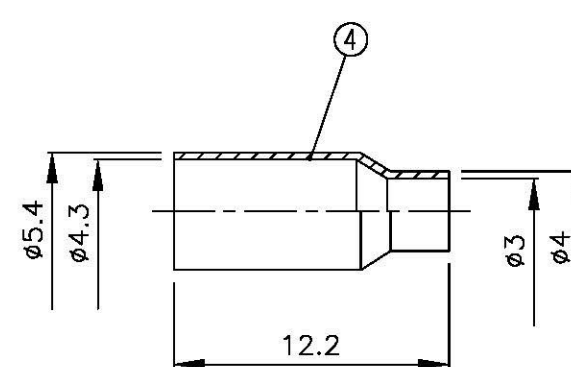
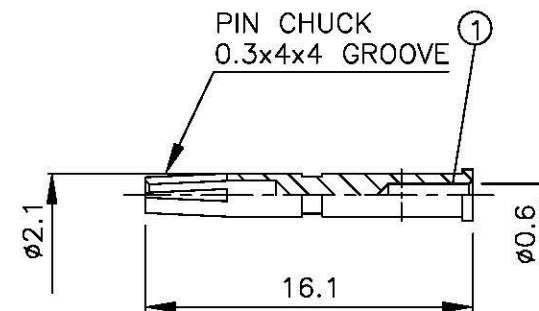
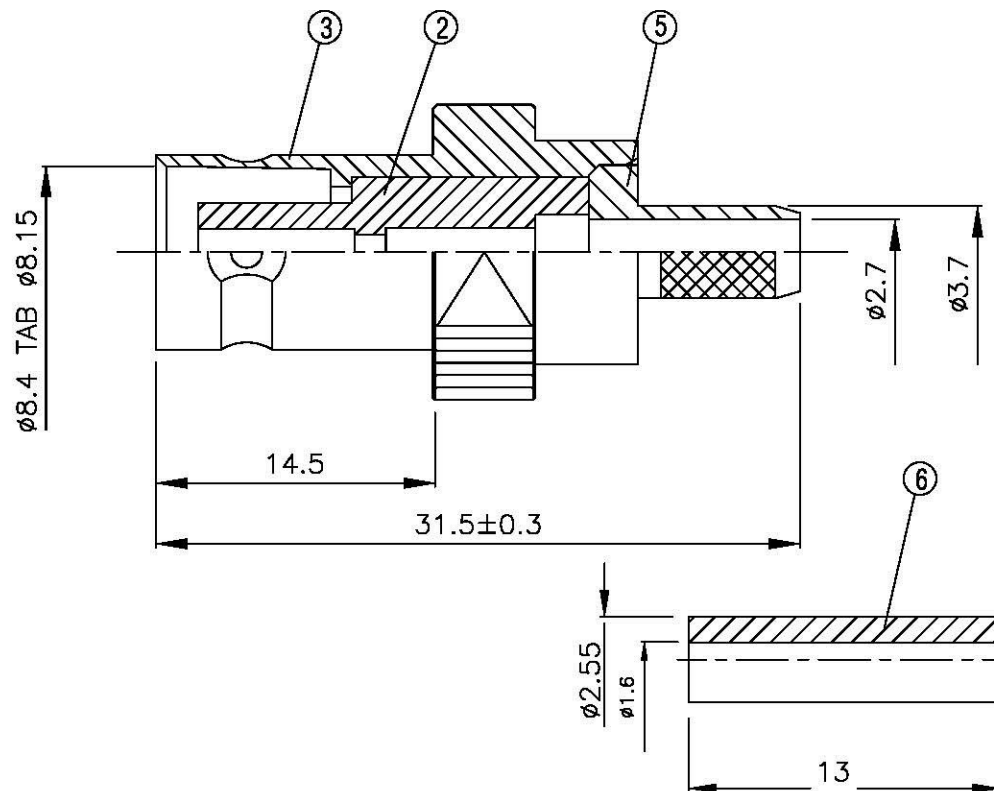
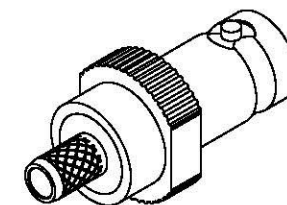
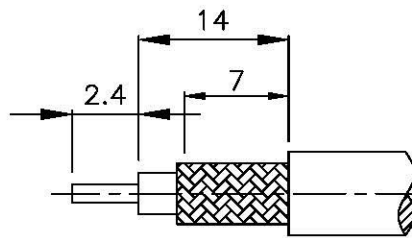


NO	DESCRIPTION	MATERIAL	Q'TY	FINISH
1	PIN	BRASS	1	GOLD
2	INSULATION	DELRIN	1	DELRIN
3	BODY 1	BRASS	1	NICKEL
4	RING	BRASS	1	NICKEL
5	BODY 2	BRASS	1	NICKEL
6	INSULATION	DELRIN	1	DELRIN



All Connectors
 www.allconnectors.de info@allconnectors.de
 Tel: 0349 711 7009003 Fax: 0349 711 7009004
 70758 Plothenhardt - Germany Kemmerlestr. 27

TITLE **BNC FEMALE CRIMP FOR
 RG-174/U,316/U**

PART NO. **BNC-07L-DGN**

DRAWING NO. **BNC 07L DGN**

DRAWN	MARY	DATE	95.08.03
CHECKED	蘇姿潔	DATE	
Q.A.	馮健華	DATE	
APPROVAL	徐燦霖	DATE	
REVISION		DATE	

DIMENSIONS ARE IN MILLIMETERS			
UNLESS OTHERWISE SPECIFIED TOLERANCE			
0.5-5=±0.2	120-315=±1		
5-30=±0.4	315-1000=±1.6		
30-120±0.6	1000-2000=±2.4		
SCALE	4:1	SIZE	A

REVISION	
DESCRIPTION	ENGINEER