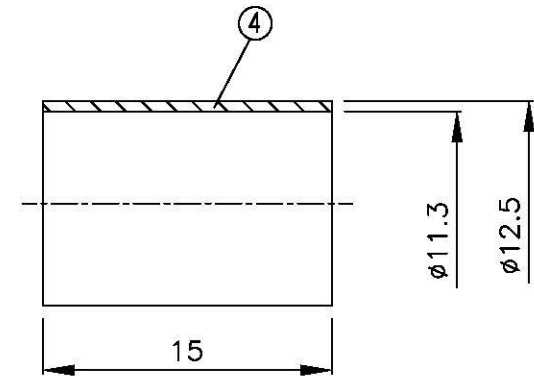
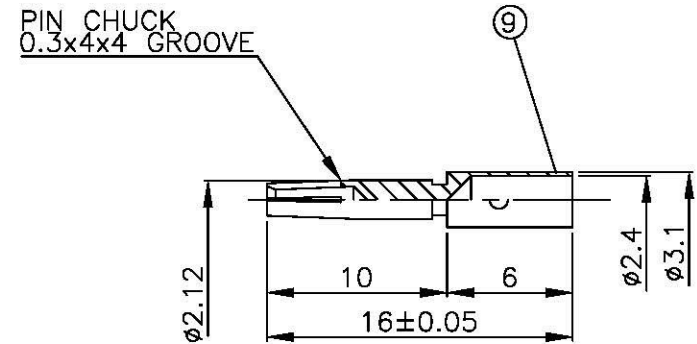
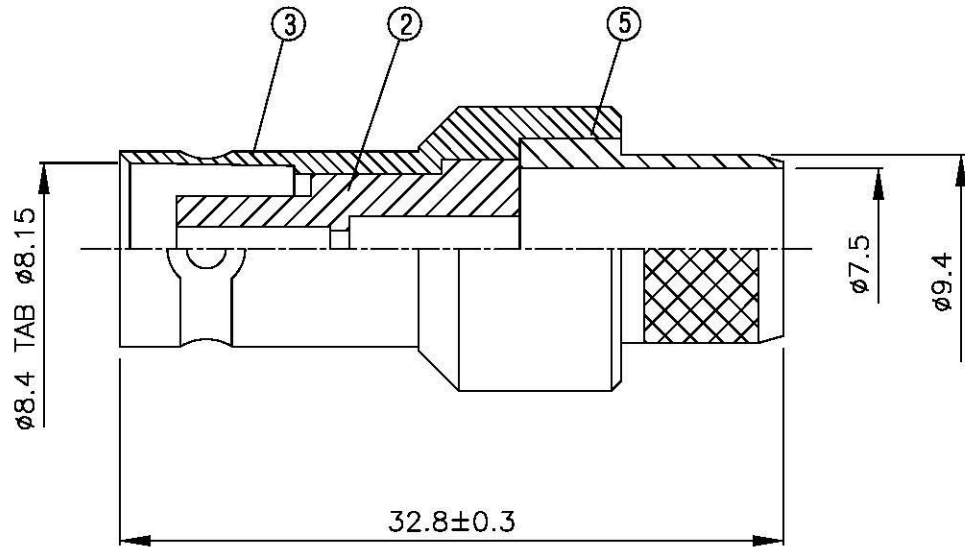
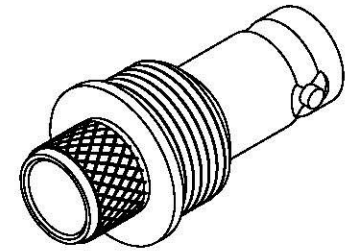


NO	DESCRIPTION	MATERIAL	Q'TY	FINISH	REMARK
1	PIN	BRASS	1	GOLD	P-TNC0110-G
2	INSULATION	TEFLON	1	TEFLON	I-0021T
3	BODY 1	BRASS	1	NICKEL	B-BNC0189-N
4	RING	BRASS	1	NICKEL	R-0010-N
5	BODY 2	BRASS	1	NICKEL	B-N0050-N



	All Connectors <small>www.allconnectors.de info@allconnectors.de Tel.: 0049 711 7009008 Fax: 0049 711 7009004 72/2011 Hildesheim - Germany Rellingen, DE</small>		DRAWN MARY DATE 96.06.28	DIMENSIONS ARE IN MILLIMETERS		REVISION	
	TITLE BNC FEMALE CRIMP FOR RG 213/U		CHECKED 蘇志欣 DATE	UNLESS OTHERWISE SPECIFIED TOLERANCE		DESCRIPTION	ENGINEER
	PART NO. BNC-07B-TGN		Q.A. 蘇姿潔 DATE	0.5-5=±0.2 120-315=±1 5-30=±0.4 315-1000=±1.6 30-120±0.6 1000-2000=±2.4			
	DRAWING NO. BNC 07B TGN		APPROVAL 徐燦霖 DATE	SCALE 4:1 SIZE A			
			REVISION DATE				