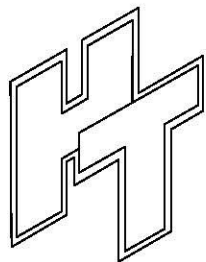
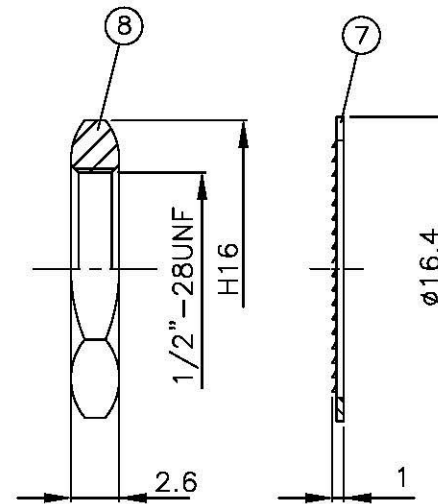
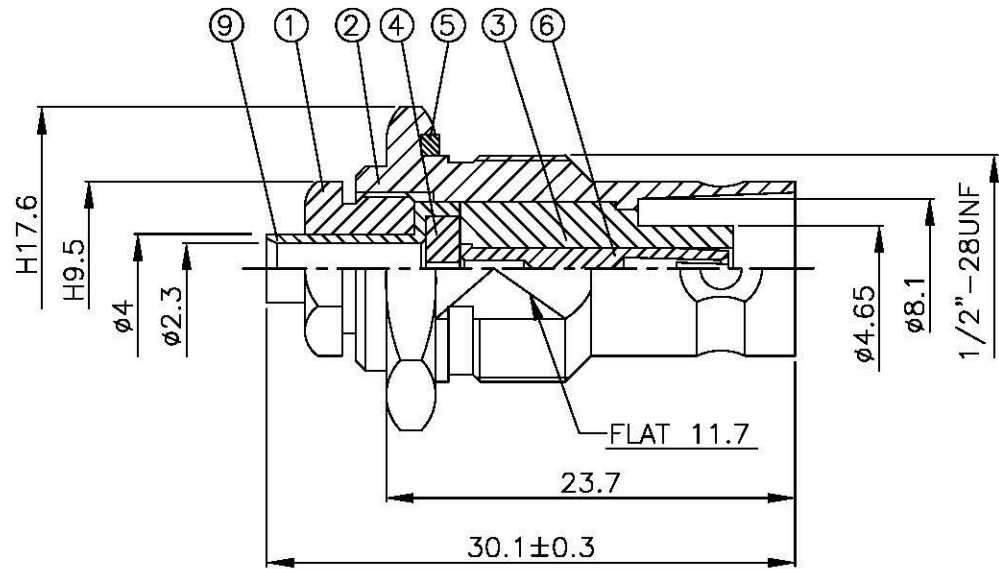
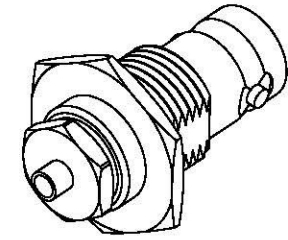
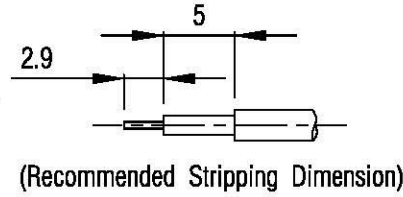
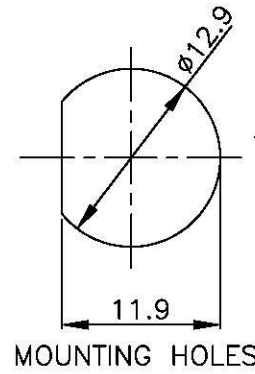


NO	DESCRIPTION	MATERIAL	Q'TY	FINISH	REMARK
1	NUT	BRASS	1	NICKEL	N-0004-N
2	BODY 1	BRASS	1	NICKEL	B-BNC0193-N
3	INSULATION	TEFLON	1	TEFLON	I-0089T
4	INSULATION	TEFLON	1	TEFLON	I-0448T
5	GASKET	RUBBER	1	RUBBER	RU-0006
6	PIN	BRASS	1	GOLD	P-TNC0019-G
7	WASHER	BRASS	1	NICKEL	W-0001-N
8	NUT	BRASS	1	NICKEL	N-0003-N
9	BODY 2	BRASS	1	GOLD	B-BNC0561-G



All Connectors
www.allconnectors.de
Tel: 0049 711 7002900
70774 Filderstadt - Germany
info@allconnectors.de
Fax: 0049 711 7002901
Karl-Tiemann-Str. 55

TITLE
**BNC BULKHEAD FEMALE
SODER FOR RG-405 (.085)**

PART NO.
BNC-06V1-TGN

DRAWING NO.
BNC 06V1 TGN

DRAWN MARY DATE 96.01.17

CHECKED 蘇姿潔 DATE

Q.A. 馮健華 DATE

APPROVAL 徐燦霖 DATE

REVISION DATE

DIMENSIONS ARE IN MILLIMETERS

UNLESS OTHERWISE SPECIFIED
TOLERANCES

0.5-5=±0.2 120-315=±1
5-30=±0.4 315-1000=±1.6
30-120=±0.6 1000-2000=±2.4

SCALE 4:1 SIZE A

REVISION

DESCRIPTION ENGINEER

DESCRIPTION	ENGINEER