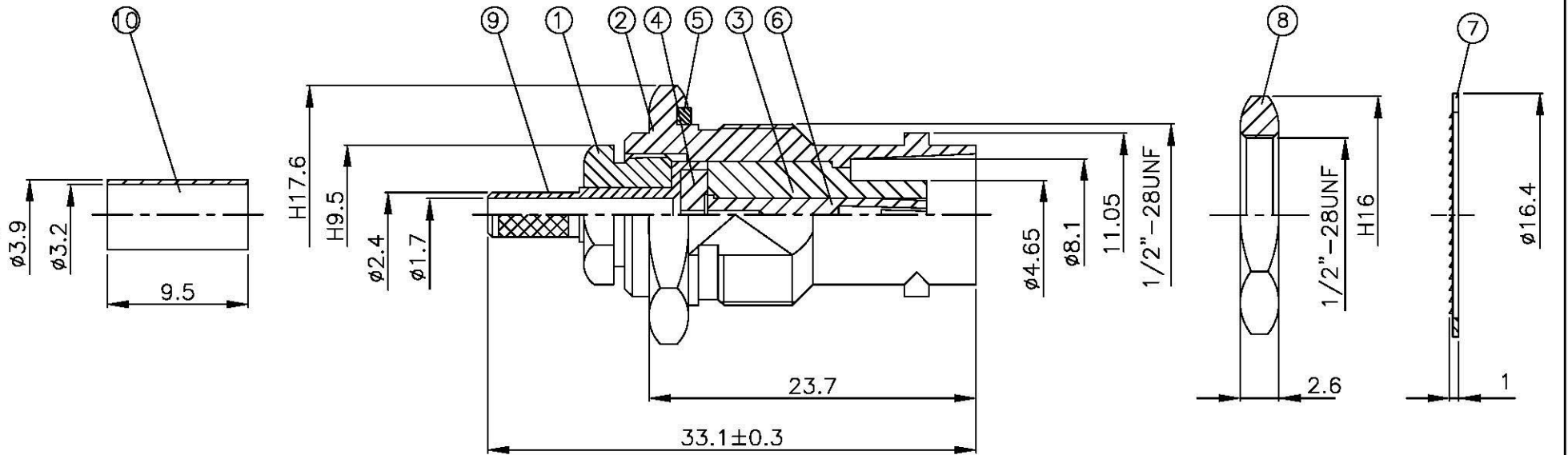
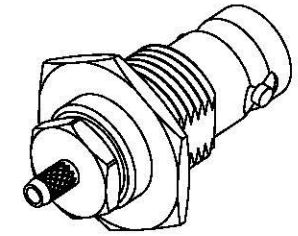
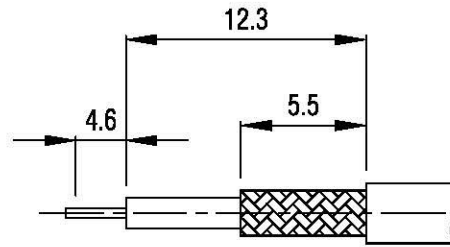


NO	DESCRIPTION	MATERIAL	Q'TY	FINISH	REMARK
1	NUT	BRASS	1	NICKEL	N-0004-N
2	BODY 1	BRASS	1	NICKEL	B-BNC0193-N
3	INSULATION	TEFLON	1	TEFLON	I-0089T
4	INSULATION	TEFLON	1	TEFLON	I-0448T
5	GASKET	RUBBER	1	RUBBER	RU-0006
6	PIN	BRASS	1	GOLD	P-TNC0019-G
7	WASHER	BRASS	1	NICKEL	W-0001-N
8	NUT	BRASS	1	NICKEL	N-0003-N
9	BODY 2	BRASS	1	NICKEL	B-TNC0919-N
10	RING	BRASS	1	NICKEL	R-0002-N



**All Connectors**  
 www.allconnectors.de info@allconnectors.de  
 Tel.: 0049 711 200518 Fax: 0049 711 200501  
 70254 Ulm/Stein - Germany kettenstraße 25

**HT**

TITLE: **BNC BULKHADE FEMALE CRIMP FOR RG316U**

PART NO.: **BNC-06LV1-TGN**

DRAWING NO.: **BNC 06LV1 TGN**

DRAWN	MARY	DATE	88.09.23
CHECKED	黃巧君	DATE	
Q.A.	蘇姿潔	DATE	
APPROVAL	徐燦霖	DATE	
REVISION		DATE	

DIMENSIONS ARE IN MILLMETERS			
UNLESS OTHERWISE SPECIFIED TOLERANCES			
0.5-5=±0.2	120-315=±1		
5-30=±0.4	315-1000=±1.6		
30-120=±0.6	1000-2000=±2.4		
SCALE	4:1	SIZE	A

REVISION	
DESCRIPTION	ENGINEER