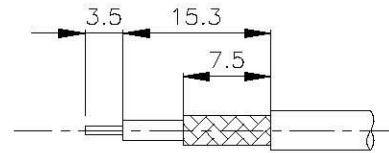
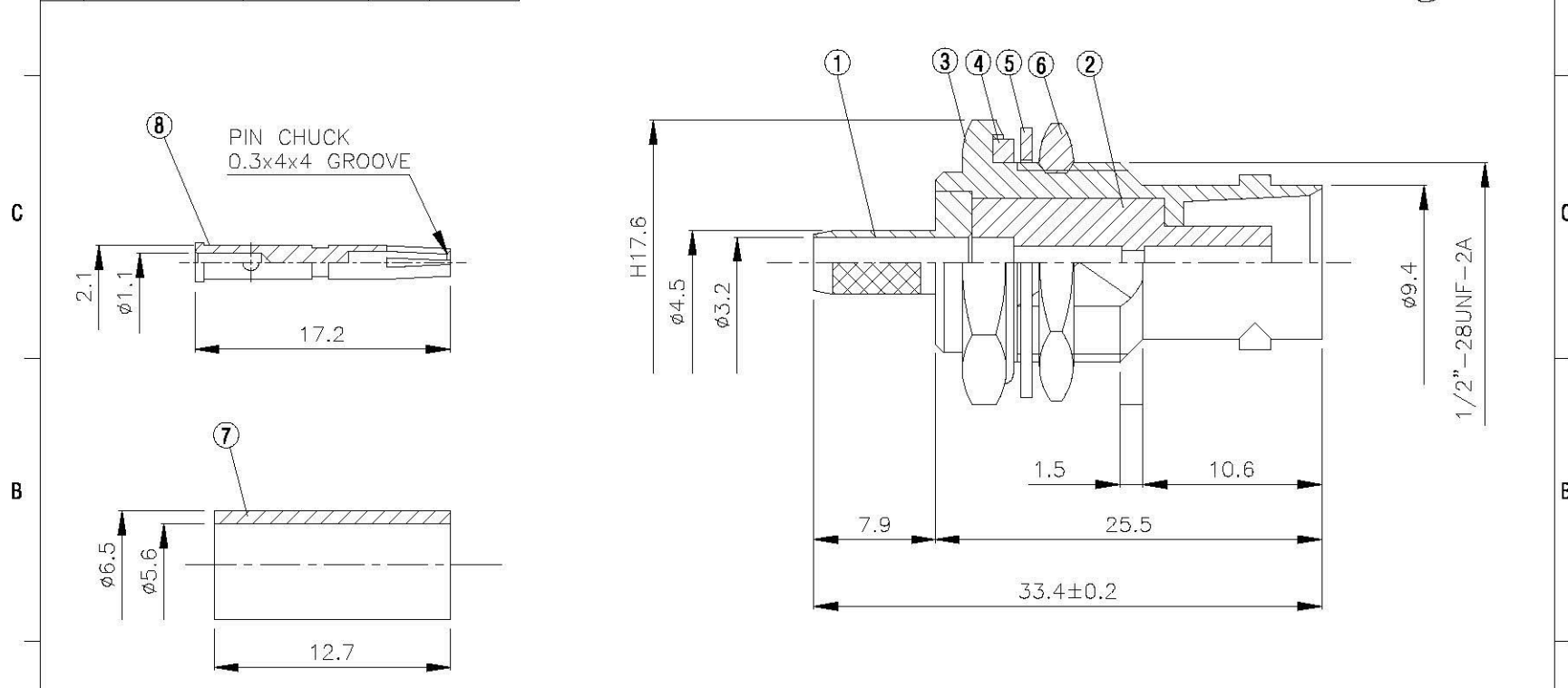
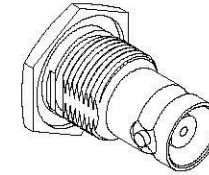


NO	DESCRIPTION	MATERIAL	Q'TY	FINISH
1	BODY	BRASS	1	NICKEL
2	INSULATION	DELFIN	1	DELFIN
3	BODY	BRASS	1	NICKEL
4	GASKET	SI RUBBER	1	RUBBER
5	WASHER	BRASS	1	NICKEL
6	NUT	BRASS	1	NICKEL
7	RING	BRASS	1	NICKEL
8	PIN	BRASS	1	GOLD



(Recommended Stripping Dimension)



		DRAWN MARY CHECKED 黄巧君 Q.A. 苏姿源 APPROVAL 徐燎霖 REVISION	DATE 96.02.12 DATE 96.04.20 DATE DATE DATE	DIMENSIONS ARE IN MILLIMETERS UNLESS OTHERWISE SPECIFIED TOLERANCE 0.5-5=±0.2 120-315=±1 5-30=±0.4 315-1000=±1.6 30-120=±0.6 1000-2000=±2.4	REVISION DESCRIPTION ENGINEER	
	www.allconnectors.de info@allconnectors.de 70756-Filderstadt Germany 4903189-711-40000 4903189-711-40000 4903189-711-40000	TITLE BNC FEMALE CRIMP FOR RG-58/U	PART NO. BNC-06F-TGN	DRAWING NO. BNC 06F TGN	SCALE 4:1 SIZE A	

4

3

2

1