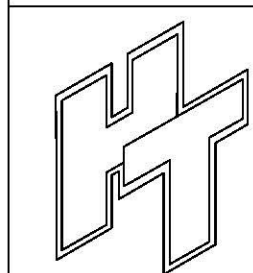
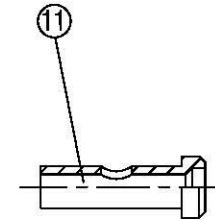
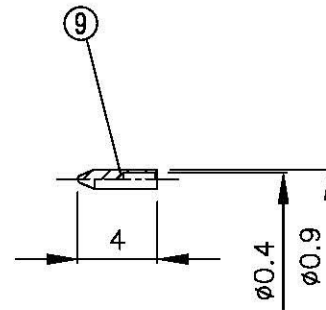
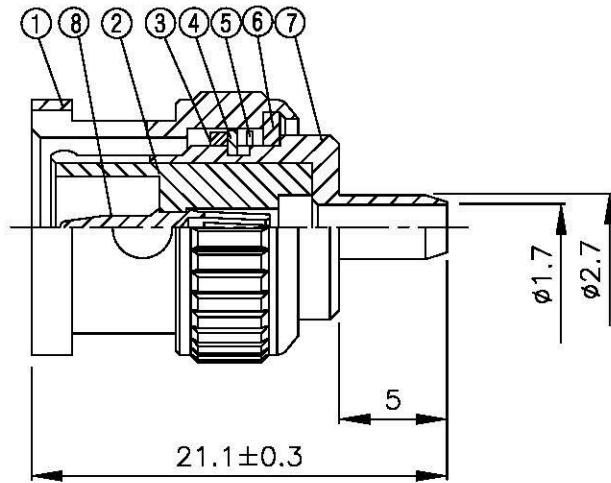
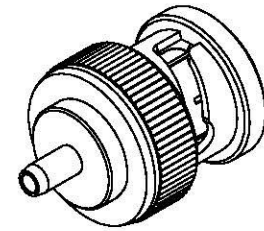


NO	DESCRIPTION	MATERIAL	Q'TY	FINISH	REMARK
1	BODY 1	BRASS	1	NICKEL	B-BNC0184-N
2	INSULATION	TEFLON	1	TEFLON	I-0450T
3	GASKET	SI RUBBER	1	RUBBER	RU-0010
4	WASHER 1	BRASS	1	NICKEL	W-0026-N
5	SPRING	BRASS	1	NICKEL	W-0025-N
6	WASHER 2	BRASS	1	NICKEL	W-0027-N
7	BODY 2	BRASS	1	NICKEL	B-BNC0920-N
8	PIN (FEMALE)	BRASS	1	GOLD	P-BNC0648-G
9	PIN (MALE)	BRASS	1	GOLD	P-FME0505-G
10	INSULATION 2	TEFLON	1	TEFLON	I-0256T
11	BODY 3	BRASS	1	GOLD	B-SMA0902-G



**All Connectors**  
 www.allconnectors.com    info@allconnectors.com  
 Tel.: 0049 711 7005003    Fax: 0049 711 7005004  
 70754 Filderstadt, Germany    R+D Center, 25

TITLE **BNC MALE CRIMP FOR HRS-1.3**

PART NO. **BNC-05U-TGN**

DRAWING NO. **BNC 05U TGN**

DRAWN **MARY**    DATE **96.06.18**

CHECKED **蘇志欣**    DATE

Q.A. **蘇姿潔**    DATE

APPROVAL **徐燦霖**    DATE

REVISION    DATE

DIMENSIONS ARE IN MILLIMETERS

UNLESS OTHERWISE SPECIFIED TOLERANCE  
 0.5-5=±0.2    120-315=±1  
 5-30= ±0.4    315-1000=±1.6  
 30-120±0.6    1000-2000=±2.4

SCALE **4:1**    SIZE **A**

REVISION

DESCRIPTION	ENGINEER