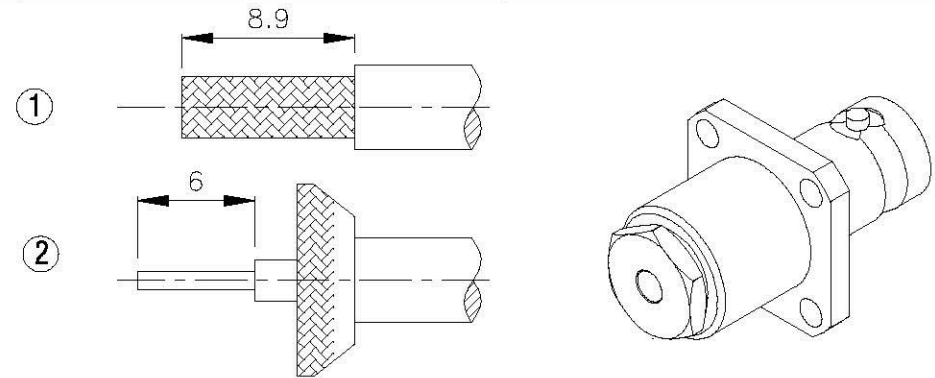
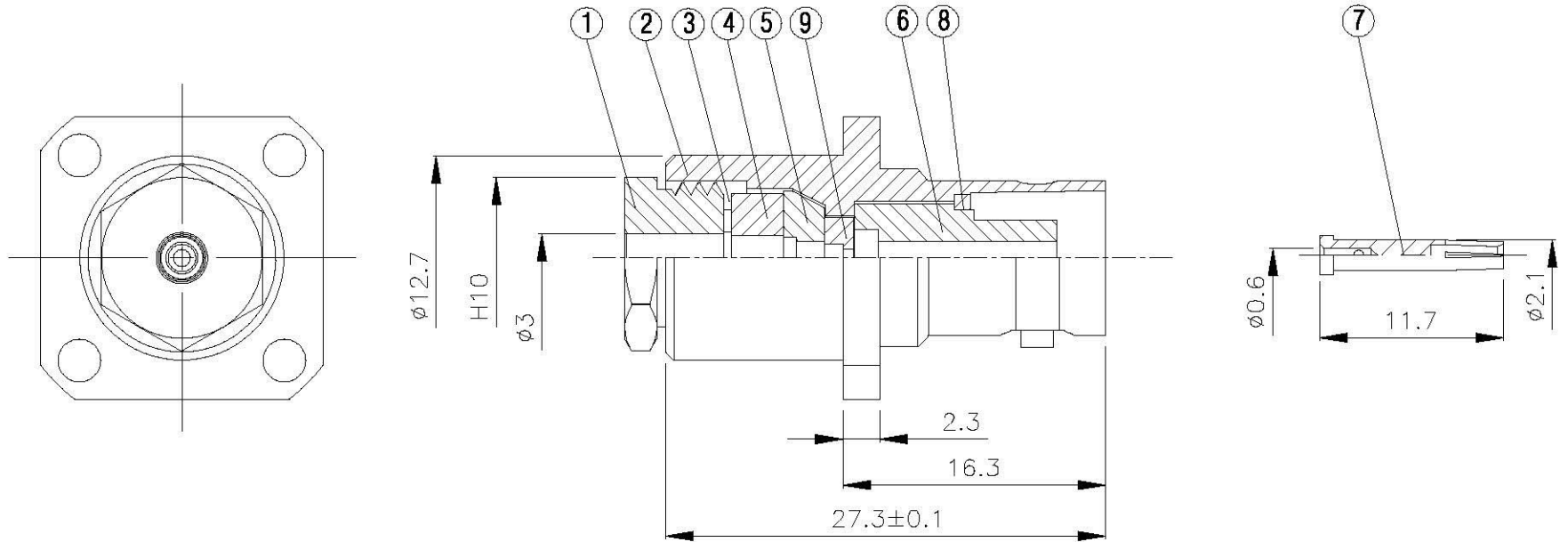


NO	DESCRIPTION	MATERIAL	Q'TY	FINISH	REMARK
1	NUT	BRASS	1	NICKEL	N-0067-N
2	BODY 1	BRASS	1	NICKEL	B-N1293-N
3	WASHER 1	BRASS	1	NICKEL	W-0083-N
4	RUBBER	SI RUBBER	1	RUBBER	RU-0052
5	WASHER 2	BRASS	1	NICKEL	W-0085-N
6	INSULATION	TEFLON	1	TEFLON	I-0361T
7	PIN	BRASS	1	GOLD	P-BNC0521-G
8	WASHER 3	BRASS	1	NICKEL	W-0014-N
9	INSULATION	TEFLON	1	TEFLON	I-0088T



(Recommended Stripping Dimension)



	All Connectors <small>www.allconnectors.de info@allconnectors.de</small> <small>70794 Filzschmid, Germany 70404 Stuttgart, Germany</small>		DRAWN 蘇姿潔 DATE 98.10.13	DIMENSIONS ARE IN MILLIMETERS			REVISION	
			CHECKED 蘇志欣 DATE	UNLESS OTHERWISE SPECIFIED TOLERANCE			DESCRIPTION	ENGINEER
	TITLE BNC FEMALE 4 HOLES CLAMP FOR RG-174/U,316/U		Q.A. 林妙樺 DATE	$0.5-5 = \pm 0.2$ $120-315 = \pm 1$ $5-30 = \pm 0.4$ $315-1000 = \pm 1.6$ $30-120 = \pm 0.6$ $1000-2000 = \pm 2.4$				
	PART NO. BNC-03LV1-TGN-1		APPROVAL 徐燦霖 DATE	SCALE 4:1 SIZE A				
	DRAWING NO. BNC 03LV1 TGN-1		REVISION DATE					