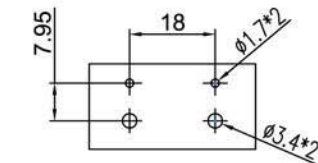
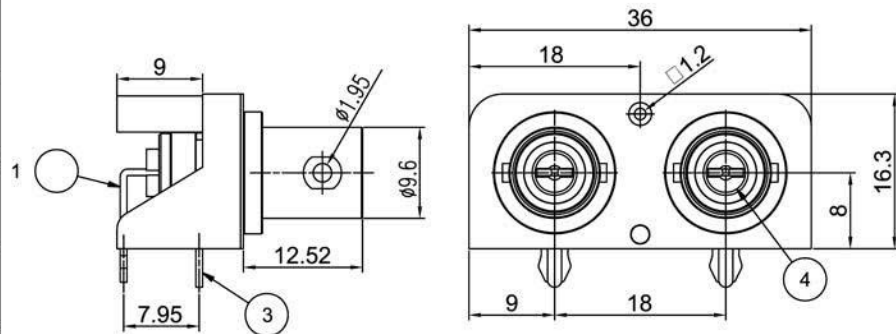
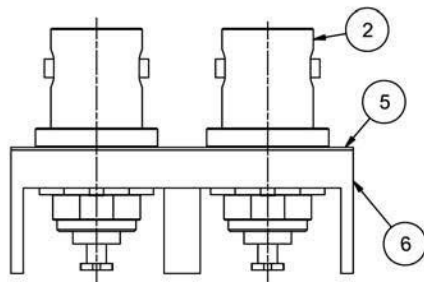


RoHS

ECN NO.	REV	MODIFICATION	DATE	DRAW	APPROVE
	A1	NEW ISSUES	2011.11.21	Jackal	



PCB Layout ( 1 : 1 )



LEAD FREE

6	Bracket	1	PBT	UL-94V0(Black)
5	Mount	1	SUS	Ni- PLATED
4	Insulator	2	POM	UL-94HB(White)
3	Steel Wire-01	2	Brass	Ni- PLATED
2	Body	2	Zinc Aolly	Ni- PLATED
1	Steel Wire-02	2	Brass	Ni- PLATED
NO.	DESCRIPTION	QTY	MATERIAL	REMARK

		Title: <b>BNC-JACK</b>	
Tolerances Linear    Angles x    ±0.30    x."    ±5° xx   ±0.20    .x"    ±2° xxx   ±0.10    .xx"   ±1°		App.    Dabbie Chk.    Kitty Dr.      Jackal	Units <input type="checkbox"/> mm <input type="checkbox"/> inch Size    A4 Scale    1:1
Projection    Revision. A		Date.    2011.11.21	Part no: BNC-0228VXB-011H Dwg no. BNC-0228VXB-011H Sheet    1/1