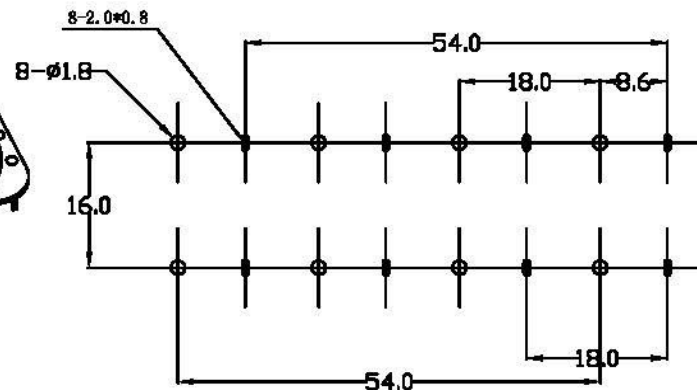
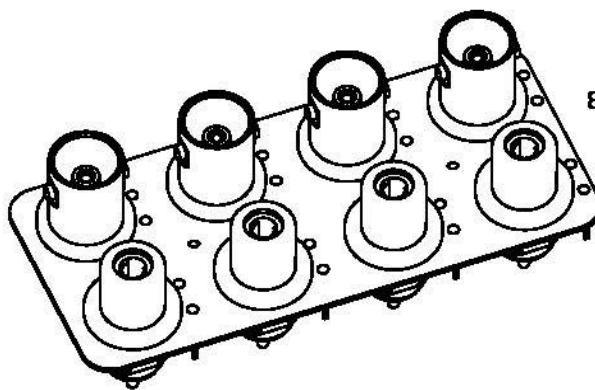
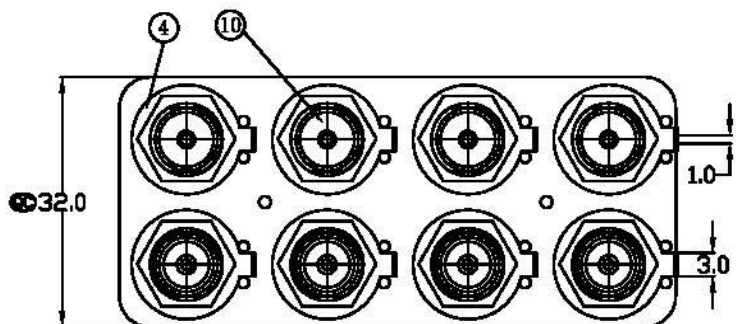
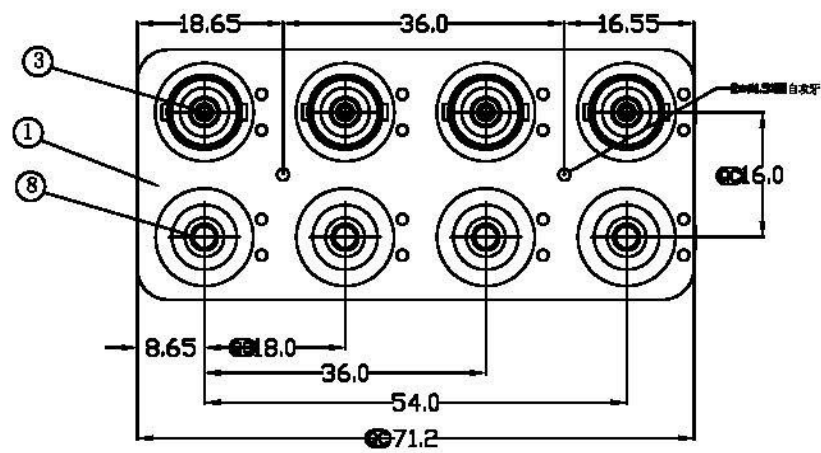
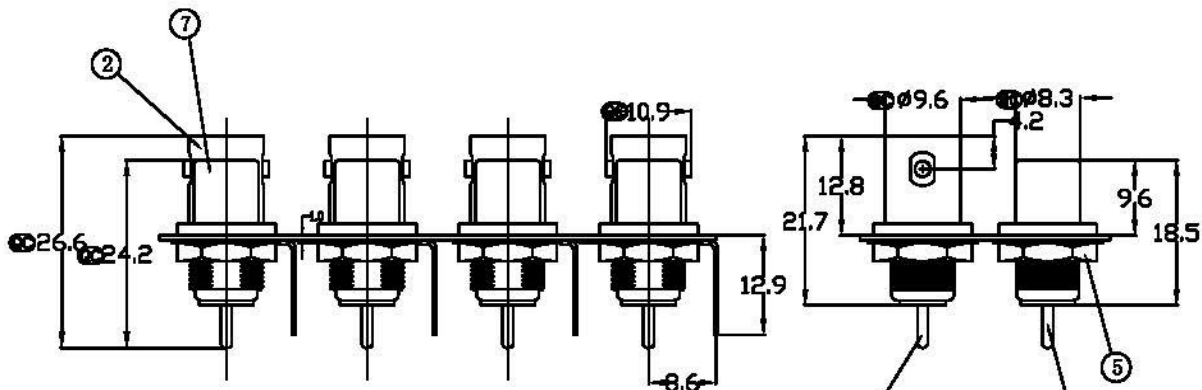


RoHS



T:1.6 Dimensions of PC board holes
Tolerance : ±0.1(Printed-side view)



LEAD FREE

10	INSULATOR-03	4	POM	RED
9	CONTACT PIN-02	4	C2680	COPY GOLD
8	INSULATOR-02	4	POM	WHITE
7	RCA BODY	4	ZINC ALLOY	NICKEL
6	CONTACT PIN-01	4	C2680	COPY GOLD
5	NUT	8	ZINC ALLOY	NICKEL
4	WASHER	8	C2680	NICKEL
3	INSULATOR-01	4	POM	WHITE
2	BNC BODY	4	ZINC ALLOY	NICKEL
1	PANEL	1	STRIP STEEL	CuSn-plated
NO.	DESCRIPTION	QTY	MATERIAL	REMARK

All Connectors
www.allconnectors.com
Tel: 0049 714 706808
70744 P (Germany)

Title: **BNC JACK**

Tolerances		App.	Dabbie
Linear	Angles		
x ±0.30	x' ±5°	Chk.	Kitty
xx ±0.20	xx' ±2°	Dr.	Jackal
xxx ±0.10	xxx' ±1°	Date.	2011.12.05
Projection	Revision.		
	A		

Units	Part no:
<input checked="" type="checkbox"/> mm	BNC-0208HXB-002I
<input type="checkbox"/> inch	Dwg no.
Size	BNC-0208HXB-002I
A4	Scale
1:1	Sheet
	1/1