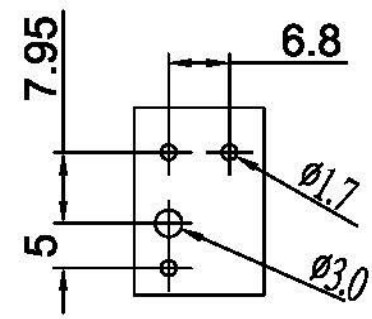
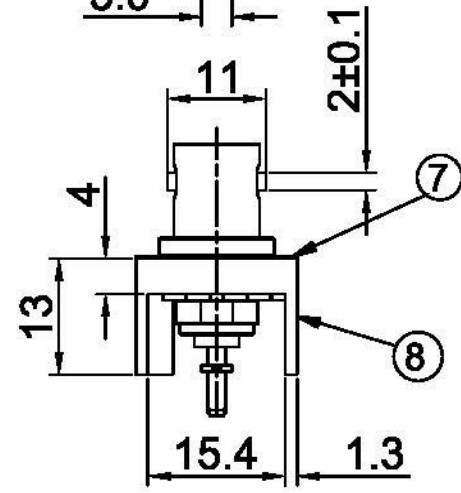
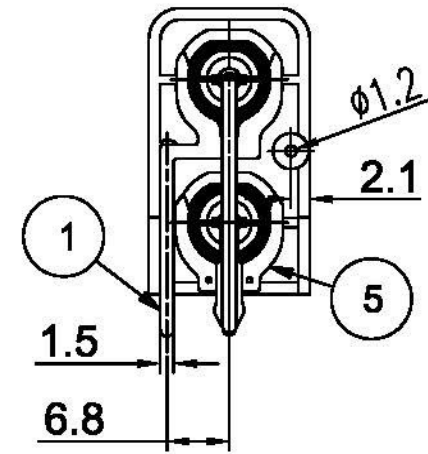
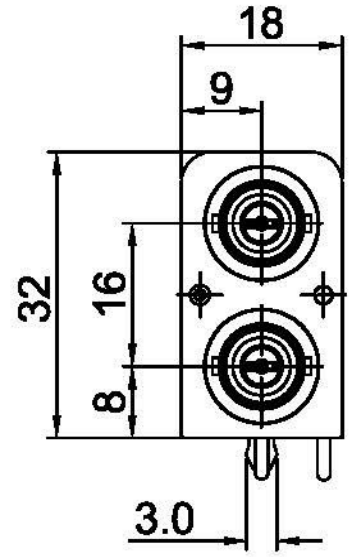
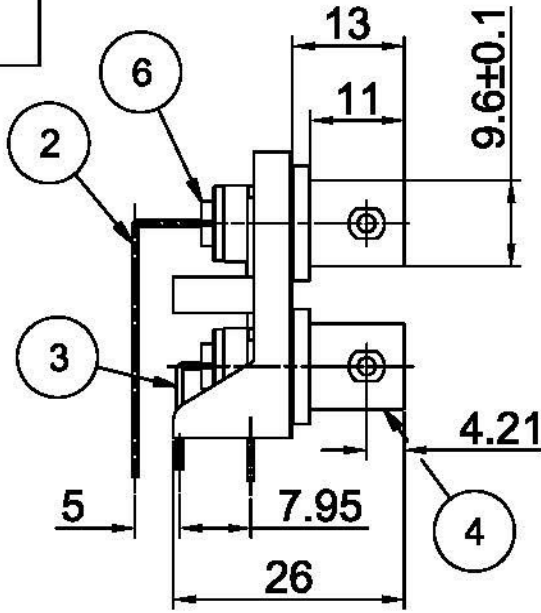


RoHS

REV.	ECN. NO.	APP.	DATE
A	NEW	WUXIAOBO	09.08.04



P.C.B Layout (1:1)

8	Bracket	ABS	Black	1
7	Mount	SUS	Ni Plated	1
6	Insulator	POM	White	2
5	SteelWire-04	Brass	Ni Plated	1
4	Body	Zinc Alloy	Ni Plated	2
3	Steel Wire-03	Brass	Ni Plated	1
2	Steel Wire-02	Brass	Ni Plated	1
1	Steel Wire-01	Brass	Ni Plated	1

NO	DESCRIPTION	MATERIAL	REMARK	QTY
----	-------------	----------	--------	-----

All Connectors

www.allconnectors.de
 Tel: 0049 711 7000900
 70751 Filberstadt - Germany

info@allconnectors.de
 Fax: 0049 711 7000504
 Kettnerstr. 25

Title: BNC JACK 90° 2x1 PORT

Tolerances		App.	Dabbie	Units <input checked="" type="checkbox"/> mm <input type="checkbox"/> inch	Part no: BNC-0159VXB-012H
Linear	Angles				
.x ±0.30	x.' ±5'	Chk.	Kitty	Size A4	Dwg no. BNC-0159VXB-012H
.xx ±0.20	.x.' ±2'	Dr.	Jackal	Scale 1:1	Sheet 1/1
.xxx ±0.10	.xx.' ±1'	Date.	2011.12.13		
Projection	Revision.				
	A				