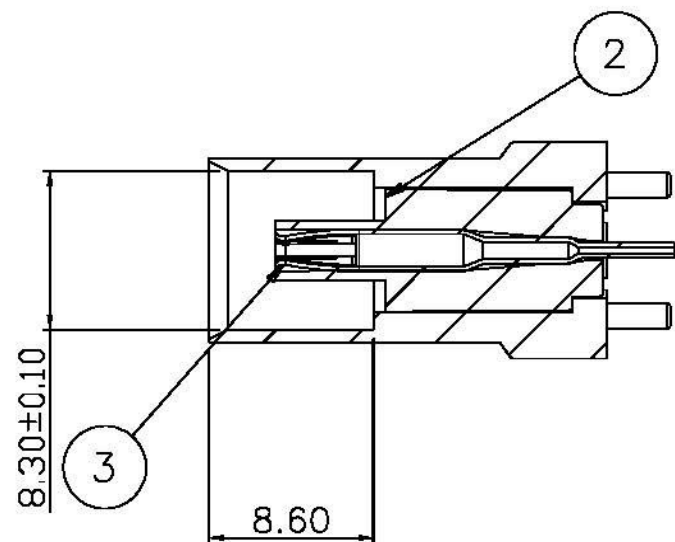
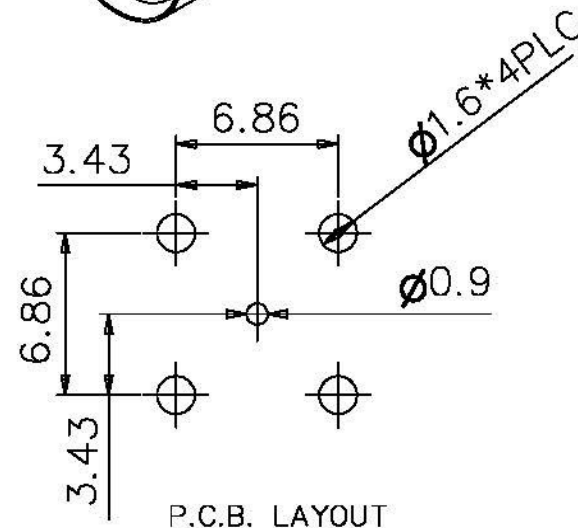
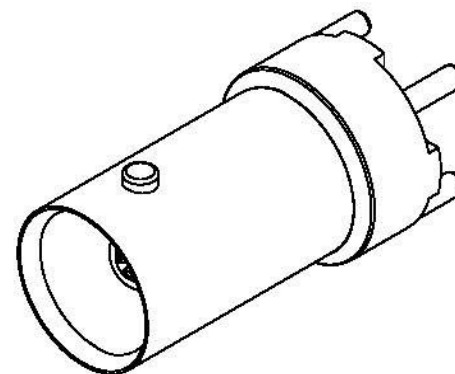
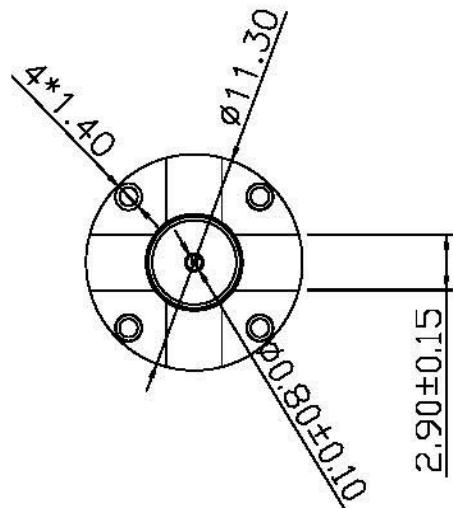
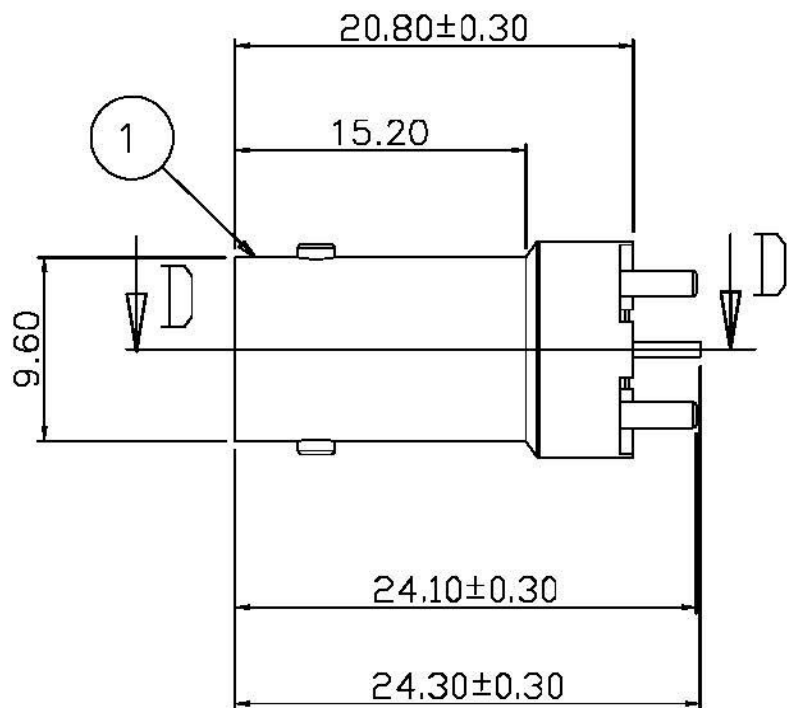


RoHS

REV.	MODIFICATION	APP.	DATE
A	NEW	Angela	2014.03.03



3	PIN	1	PHOSPHOR BRONZE	AU PLATING
2	INSULATOR	1	POM	WHITE
1	BODY	1	ZINC ALLOY	NI PLATING
NO.	DESCRIPTION	QTY	MATERIAL	REMARK

All Connectors
 www.allconnectors.de
 TEL: 0049 711 700500
 ALL CONNECTORS GMBH
 In-For-All-Connectors.de
 Fax: 0049 711 7029801
 info@allconnectors.de

Title: **BNC Jack 1X1 Port DIP 180°**

Tolerances	
Linear	Angles
x ±0.30	x° ±5°
xx ±0.20	x° ±2°
xxx ±0.10	xx° ±1°

App.	Ivy
Chk.	Sam
Dr.	Angela
Date.	2014.03.03

Units	Part no:
<input checked="" type="checkbox"/> mm	BNC-0157HXB-001K
<input type="checkbox"/> inch	(MW00064)
Size	Dwg no.
A4	BNC-0157HXB-001K

Projection Revision: A

Scale 1:1 Sheet 1/1