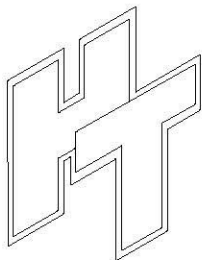
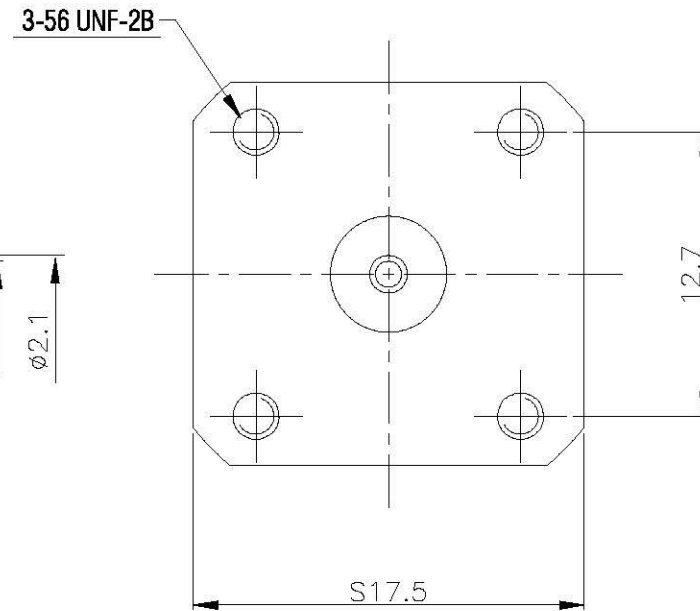
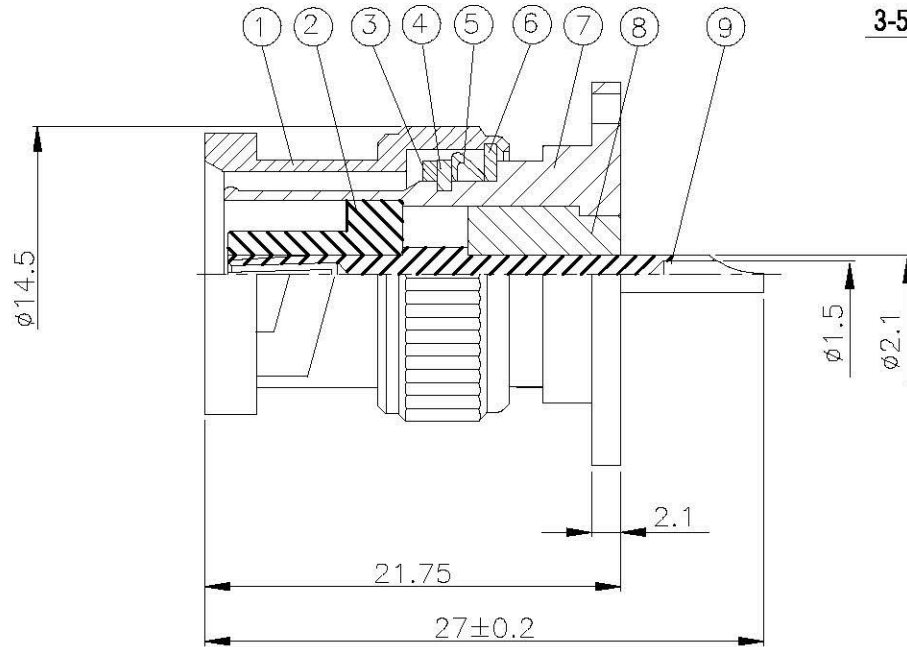
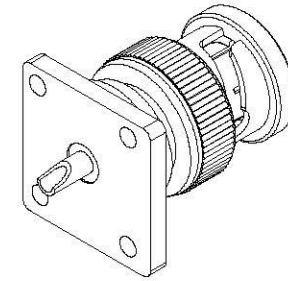


NO	DESCRIPTION	MATERIAL	Q'TY	FINISH
1	SHFLI	BRASS	1	NICKEL
2	INSULATION 1	DELTRIN	1	DELTRIN
3	GASKET	RUBBER	1	RUBBER
4	WASHER	BRASS	1	NICKEL
5	WASHER	BRASS	1	NICKEL
6	WASHER	BRASS	1	NICKEL
7	BODY	BRASS	1	NICKEL
8	INSULATION 2	DELTRIN	1	DELTRIN
9	PIN	BRASS	1	GOLD



All Connectors

www.allconnectors.com
 4413000 0111 000000
 010701 1111000 0111 - Germany

info@allconnectors.com
 1111 000 0111 000000
 010701 1111000 0111 - Germany

TITLE **BNC MALE PANEL
 RECEPTACLE ISOLATED GROUND**

PART NO. **BNC-33-TGN-RP**

DRAWING NO. **BNC 33 DGN-RP**

DRAWN **MARY** DATE **96.06.18**

CHECKED **蘇志欣** DATE

Q.A. **蘇姿潔** DATE

APPROVAL **徐燦霖** DATE

REVISION DATE

DIMENSIONS ARE IN MILLIMETERS

UNLESS OTHERWISE SPECIFIED
 TOLERANCE

0.5-5 = ± 0.2 120-315 = ± 1

5-30 = ± 0.4 315-1000 = ± 1.6

30-120 = ± 0.6 1000-2000 = ± 2.4

SCALE **4:1** SIZE **A**

REVISION

DESCRIPTION ENGINEER