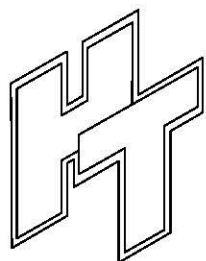
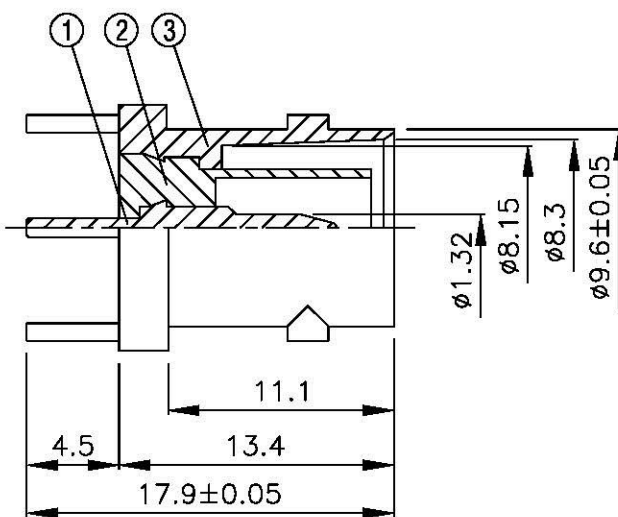
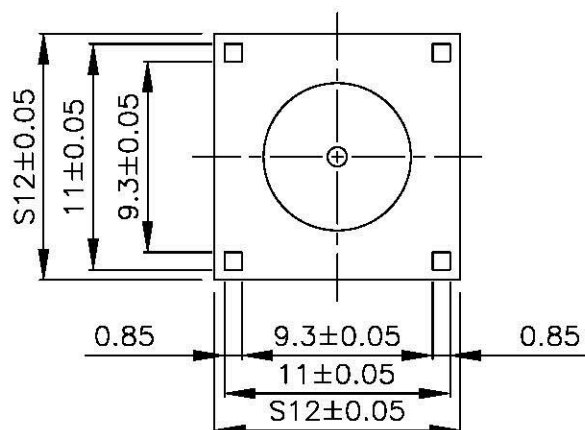
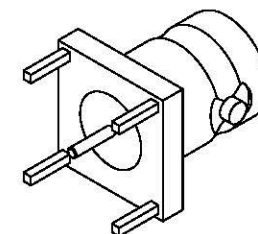


NO	DESCRIPTION	MATERIAL	Q'TY	FINISH	REMARK
1	PIN	BRASS	1	GOLD	P-BNC0130-G
2	INSULATION	TEFLON	1	TEFLON	I-0036T
3	BODY	BRASS	1	NICKEL	B-BNC00203-N



All Connectors

www.allconnectors.us
TEL: 0049 711 209593
M/F: 441843001 Germany
info@allconnectors.us
Fax: 0049 711 209594
kollmann@all.us

TITLE BNC MALE PCB MOUNT
REVERSE POLARITY

PART NO. BNC-11-TGN-RT

DRAWING NO. BNC 11 TGN RT

DRAWN MARY DATE 96.06.29

CHECKED 蘇志欣 DATE

Q.A. 蘇姿潔 DATE

APPROVAL 徐燦霖 DATE

REVISION DATE

DIMENSIONS ARE IN MILLIMETERS

UNLESS OTHERWISE SPECIFIED
TOLERANCE
0.5-5=±0.2 120-315=±1
5-30=±0.4 315-1000=±1.6
30-120±0.6 1000-2000=±2.4

SCALE 4:1 SIZE A

REVISION

DESCRIPTION	ENGINEER

D

D

C

C

B

B

A

A

4

3

2

1