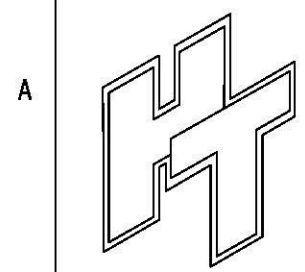
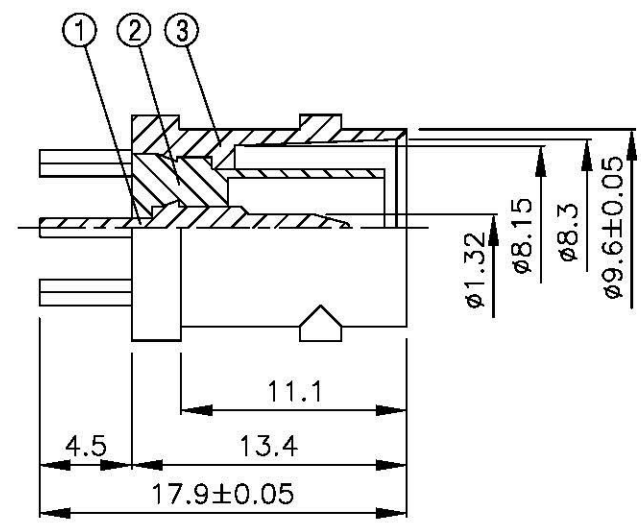
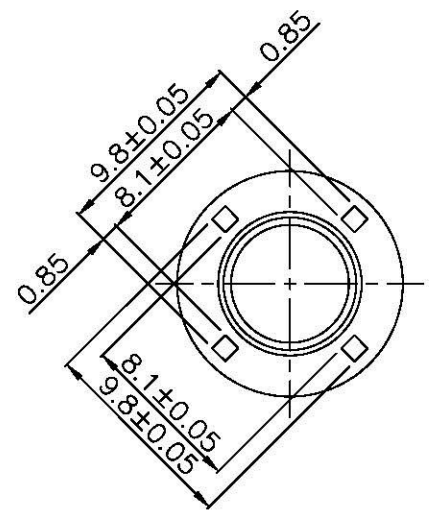
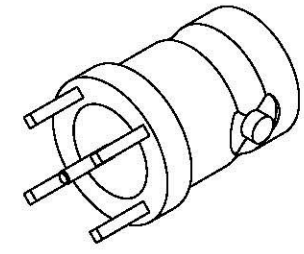


NO	DESCRIPTION	MATERIAL	Q'TY	FINISH	REMARK
1	PIN	BRASS	1	GOLD	P-BNC0130-G
2	INSULATION	TEFLON	1	TEFLON	I-0036T
3	BODY	BRASS	1	NICKEL	B-BNC0202-N



All Connectors
 www.allconnectors.de info@allconnectors.de
 (+49) 3309 311 40000 (+49) 3309 311 40000
 70724 Stuttgart, Germany Kornwestheim, DE

TITLE BNC MALE PCB MOUNT
 REVERST POLARITY

PART NO. BNC-11-TGN-RP

DRAWING NO. BNC 11 TGN RP

DRAWN MARY **DATE** 96.06.29

CHECKED 蘇志欣 **DATE**

Q.A. 蘇姿潔 **DATE**

APPROVAL 徐燦霖 **DATE**

REVISION **DATE**

DIMENSIONS ARE IN MILLIMETERS

UNLESS OTHERWISE SPECIFIED TOLERANCE

0.5-5=±0.2 120-315=±1
 5-30=±0.4 315-1000=±1.6
 30-120±0.6 1000-2000=±2.4

SCALE 4:1 **SIZE** A

REVISION	
DESCRIPTION	ENGINEER