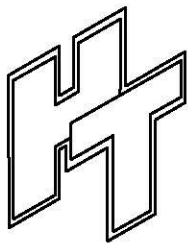
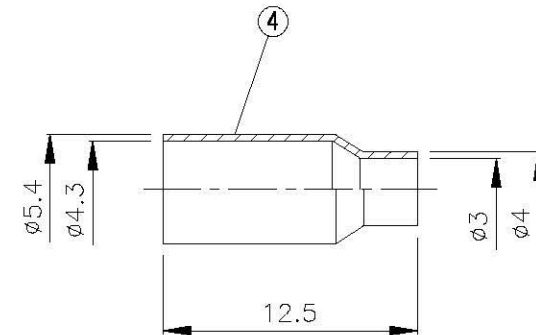
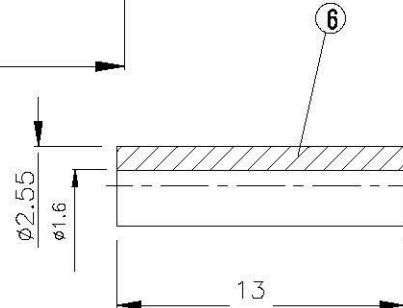
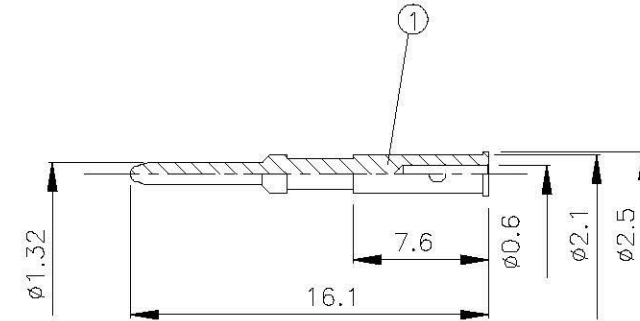
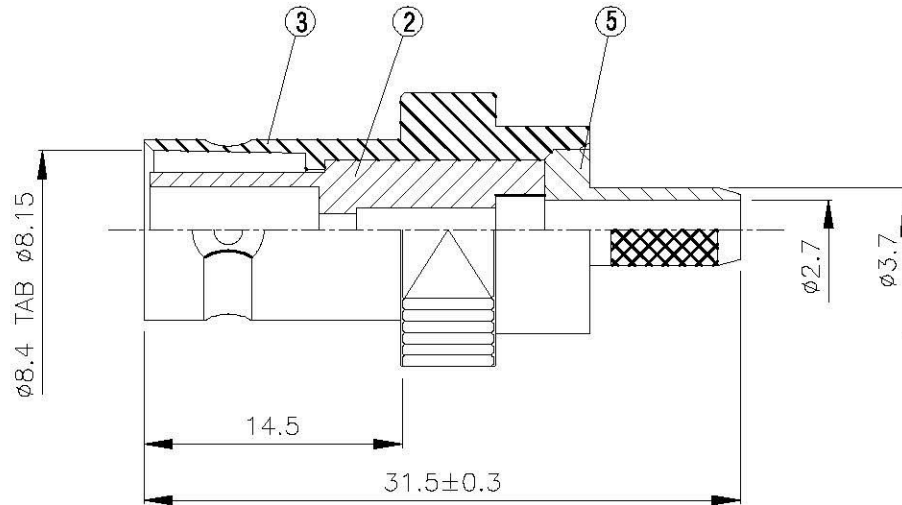
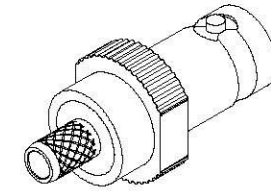
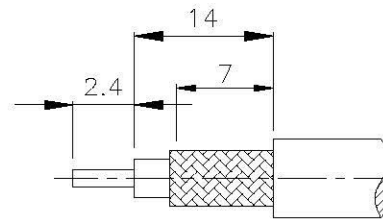


NO	DESCRIPTION	MATERIAL	Q'TY	FINISH
1	PIN	BRASS	1	GOLD
2	INSULATION	DELKIN	1	DELKIN
3	BODY 1	BRASS	1	NICKEL
4	RING	BRASS	1	NICKEL
5	BODY 2	BRASS	1	NICKEL
6	INSULATION	DELKIN	1	DELKIN



All Connectors

1/F, 88, Huanmin Street, Shenzhen, China
Tel: 0755-23212000 Fax: 0755-23212004
www.allconnectors.com

TITLE BNC FEMALE CRIMP FOR RG-174/U (REVERSE POLARITY)

PART NO. BNC-07L-TGN-RP

DRAWING NO. BNC 07L TGN-RP

DRAWN MARY **DATE** 97.02.25

CHECKED 林志欣 **DATE**

Q.A. 林姿深 **DATE**

APPROVAL 徐康强 **DATE**

REVISION **DATE**

DIMENSIONS ARE IN MILLIMETERS

UNLESS OTHERWISE SPECIFIED TOLERANCE

0.5-5=±0.2 120-315=±1

5-30=±0.4 315-1000=±1.6

30-120±0.6 1000-2000=±2.4

SCALE 4:1 **SIZE** A

REVISION

DESCRIPTION **ENGINEER**