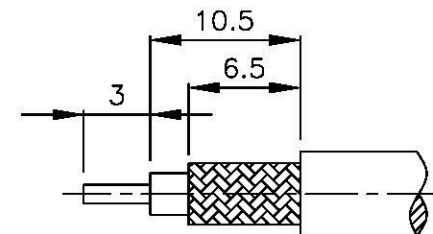
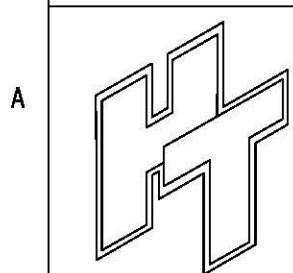
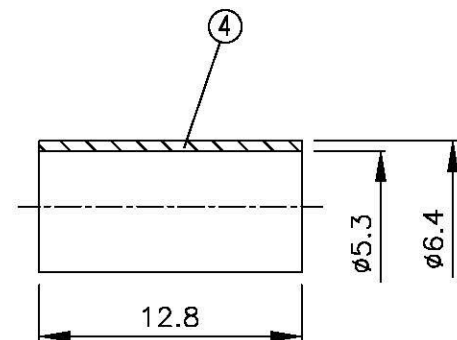
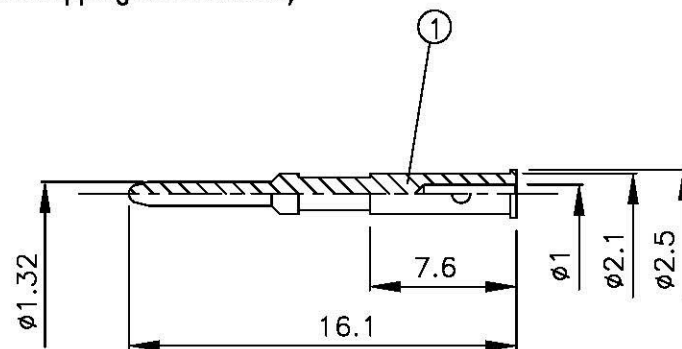
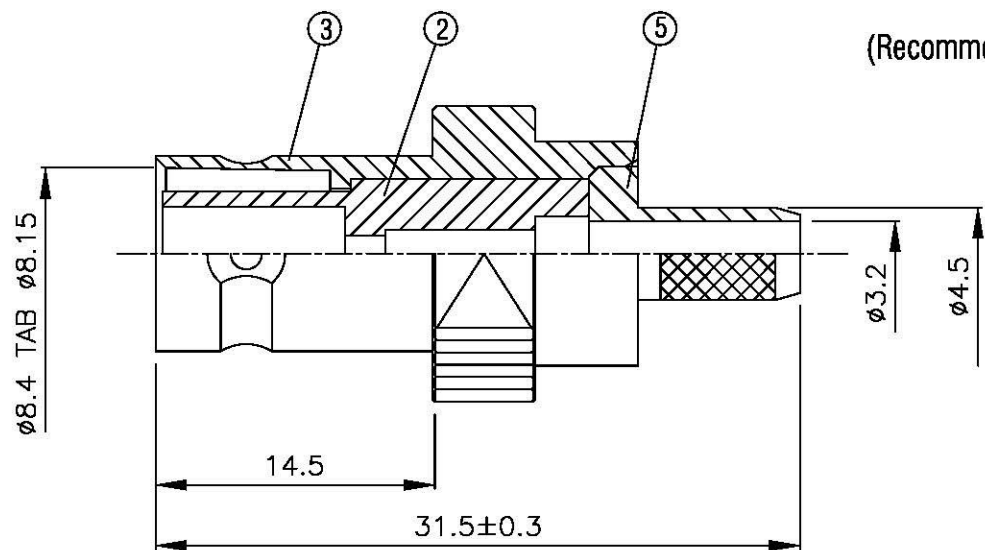
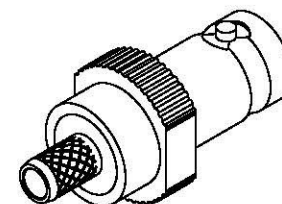


NO	DESCRIPTION	MATERIAL	Q'TY	FINISH	REMARK
1	PIN	BRASS	1	GOLD	P-TNC0051-G
2	INSULATION	DELTRIN	1	DELTRIN	I-0128T
3	BODY 1	BRASS	1	NICKEL	B-BNC0655-N
4	RING	BRASS	1	NICKEL	R-0007-N
5	BODY 2	BRASS	1	NICKEL	B-TNC0013-N



(Recommended Stripping Dimension)



All Connectors

www.allconnectors.de
Tel.: 0049 711 7069208
70754 Filderstadt Germany

info@allconnectors.de
Fax: 0049 711 7069204
Kettnerstr. 25

TITLE BNC FEMALE CRIMP FOR
RG-58/U (REVERSE POLARITY)

PART NO. BNC-07FV1-TGN-RP

DRAWING NO. BNC 07FV1 TGN-RP

DRAWN MARY DATE 96.06.29

CHECKED 蘇志欣 DATE

Q.A. 蘇姿潔 DATE

APPROVAL 徐燦霖 DATE

REVISION DATE

DIMENSIONS ARE IN MILLIMETERS

UNLESS OTHERWISE SPECIFIED
TOLERANCE

0.5-5=±0.2 120-315=±1

5-30= ±0.4 315-1000=±1.6

30-120±0.6 1000-2000=±2.4

SCALE 4:1 SIZE A

REVISION

DESCRIPTION ENGINEER