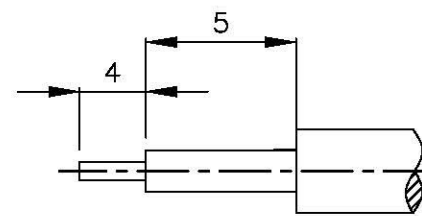
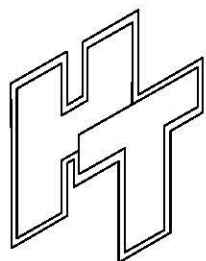
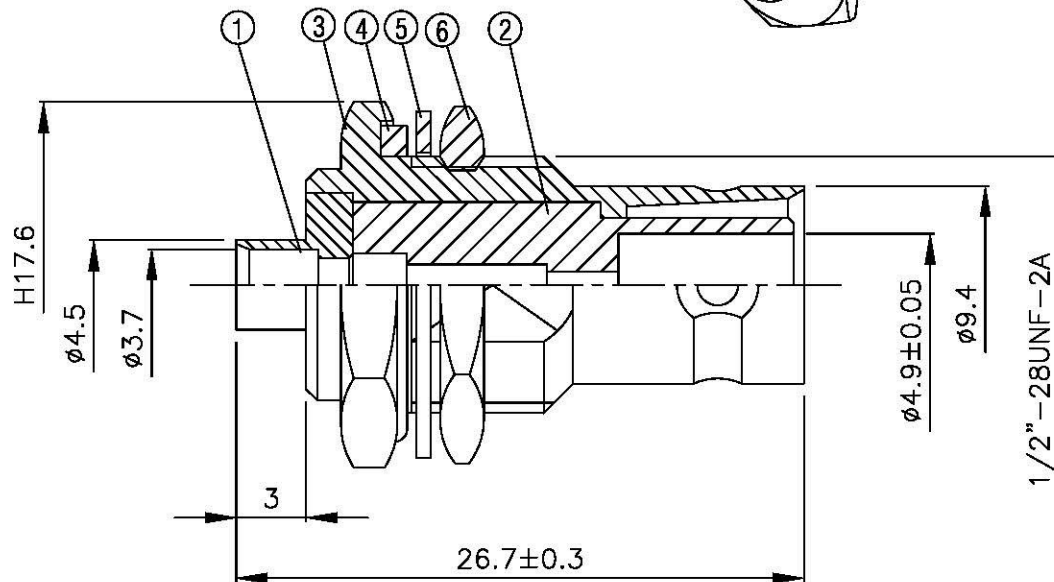
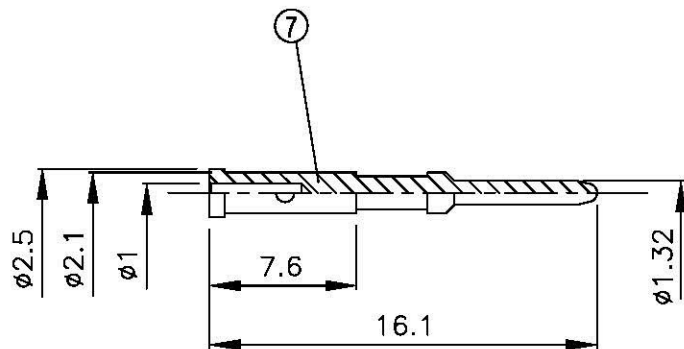
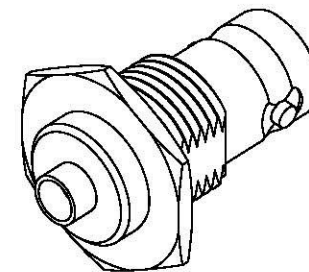


NO	DESCRIPTION	MATERIAL	Q'TY	FINISH	REMARK
1	SHELL	BRASS	1	NICKEL	B-BNC0559-N
2	INSULATION	TEFLON	1	TEFLON	I-0128T
3	BODY	BRASS	1	NICKEL	B-BNC0115-N
4	GASKET	SI RUBBER	1	RUBBER	RU-0006
5	WASHER	BRASS	1	NICKEL	W-0001-N
6	NUT	BRASS	1	NICKEL	N-0003-N
7	PIN	BRASS	1	GOLD	P-TNC0051-G



(Recommended Stripping Dimension)



All Connectors

www.allconnectors.de
Tel.: 0049 711 7009503
70774 Filderstadt - Germany

info@allconnectors.de
Fax: 0049 711 7009504
Kettenerstr. 25

TITLE BNC FEMALE SOLDER FOR
RG 402(.141) REVERSE POLARITY

PART NO. BNC-06V2-TGN-RP

DRAWING NO. BNC 06V2 TGN RP

DRAWN MARY DATE 96.06.29

CHECKED 蘇志欣 DATE

Q.A. 蘇姿潔 DATE

APPROVAL 徐燦霖 DATE

REVISION DATE

DIMENSIONS ARE IN MILLIMETERS

UNLESS OTHERWISE SPECIFIED
TOLERANCE

0.5-5=±0.2 120-315=±1

5-30=±0.4 315-1000=±1.6

30-120±0.6 1000-2000=±2.4

SCALE 4:1 SIZE A

REVISION

DESCRIPTION ENGINEER

D

C

B

A

D

C

B

A

4

3

2

1