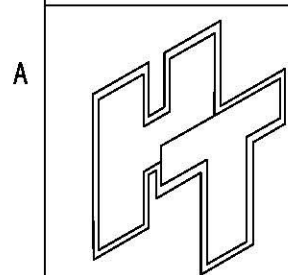
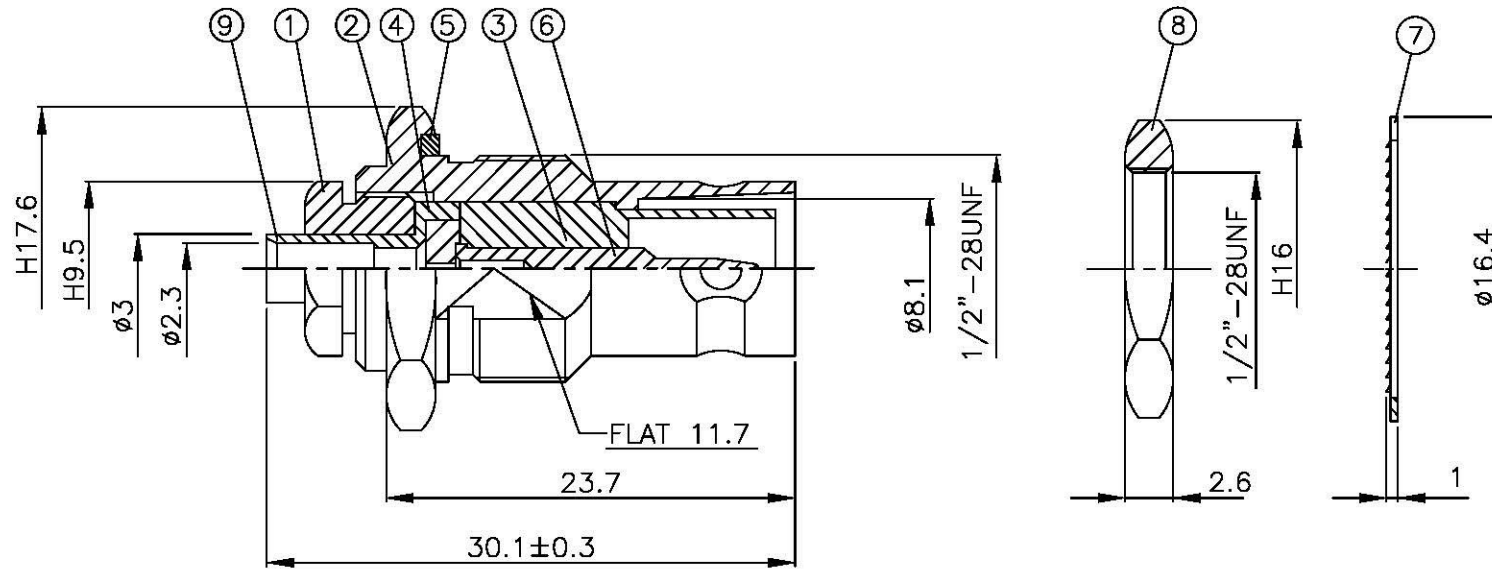
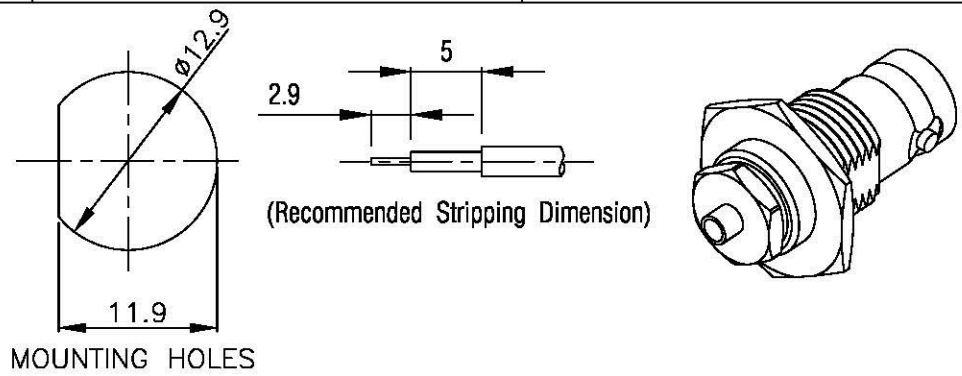


NO	DESCRIPTION	MATERIAL	Q'TY	FINISH	REMARK
1	NUT	BRASS	1	NICKEL	N-0004-N
2	BODY 1	BRASS	1	NICKEL	B-BNC0193-N
3	INSULATION	TEFLON	1	TEFLON	I-0095T
4	INSULATION	TEFLON	1	TEFLON	I-0488T
5	GASKET	RUBBER	1	RUBBER	RU-0006
6	PIN	BRASS	1	GOLD	P-TNC0360-G
7	WASHER	BRASS	1	NICKEL	W-0001-N
8	NUT	BRASS	1	NICKEL	N-0003-N
9	BODY 2	BRASS	1	NICKEL	B-BNC0561-N



All Connectors
 www.allconnectors.de
 Tel.: 0645 711 7000500
 info@allconnectors.de
 Fax: 0645 711 7000504
 20174 Hilsenrodt Germany

TITLE
**BNC BULKHADE FEMALE FOR SOLDER
 RG-405 (.085) REVERSE POLARITY**

PART NO.
BNC-06V1-TGN-RP

DRAWING NO.
BNC 06V1 TGN-RP

DRAWN MARY DATE 96.01.17

CHECKED 黄巧君 DATE

Q.A. 蘇姿潔 DATE

APPROVAL 徐燦霖 DATE

REVISION DATE

DIMENSIONS ARE IN MILLMETERS

UNLESS OTHERWISE SPECIFIED
 TOLERANCES

0.5-5 = ±0.2 120-315 = ±1
 5-30 = ±0.4 315-1000 = ±1.6
 30-120 = ±0.6 1000-2000 = ±2.4

SCALE 4:1 SIZE A

REVISION

DESCRIPTION ENGINEER