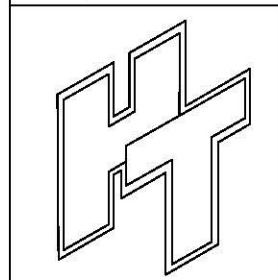
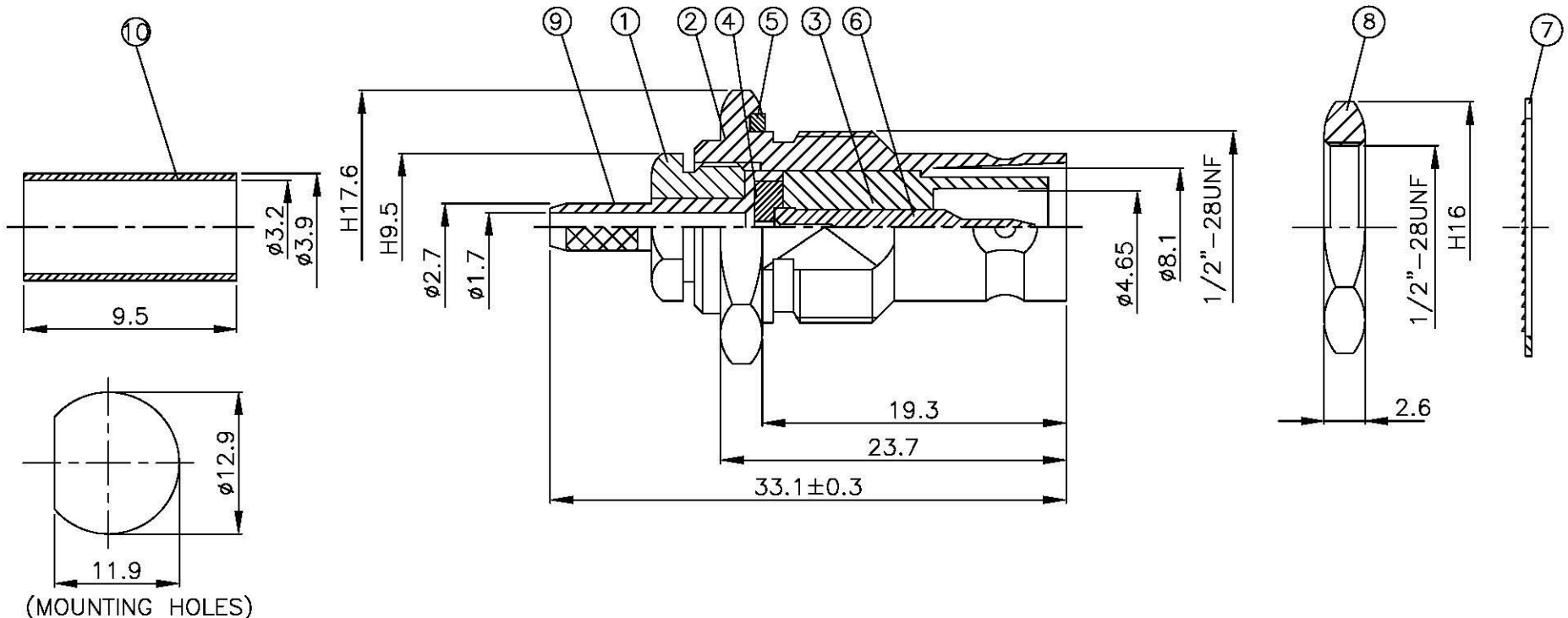
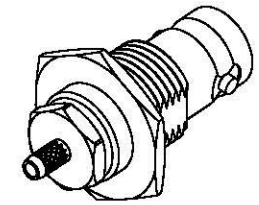
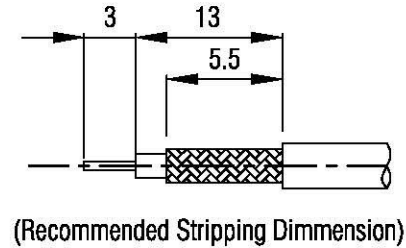


NO	DESCRIPTION	MATERIAL	Q'TY	FINISH	REMARK
1	NUT	BRASS	1	NICKEL	N-0004-N
2	BODY 1	BRASS	1	NICKEL	B-BNC0193-N
3	INSULATION	TEFLON	1	TEFLON	I-0095T
4	INSULATION	TEFLON	1	TEFLON	I-0448T
5	GASKET	RUBBER	1	RUBBER	RU-0006
6	PIN	BRASS	1	GOLD	P-TNC0360-G
7	WASHER	BRASS	1	NICKEL	W-0001-N
8	NUT	BRASS	1	NICKEL	N-0003-N
9	BODY 2	BRASS	1	NICKEL	B-TNC0919-N
10	RING	BRASS	1	NICKEL	R-0002-N



All Connectors
 www.allconnectors.de
 info@allconnectors.de
 Tel.: 0049 744 7009500
 Fax: 0049 744 7009504
 70757 Filderstadt - Germany
 Kerkamerstr. 25

TITLE BNC FEMALE CRIMP
 FOR RG-316/U REVERSE POLARITY

PART NO. BNC-06LV1-TGN-RP

DRAWING NO. BNC-06LV1-TGN-RP

DRAWN MARY	DATE 96.06.29
CHECKED 蘇志欣	DATE 97.04.29
Q.A. 蘇姿潔	DATE
APPROVAL 徐燦霖	DATE
REVISION	DATE

DIMENSIONS ARE IN MILLMETERS			
UNLESS OTHERWISE SPECIFIED TOLERANCES			
0.5-5=±0.2	120-315=±1		
5-30=±0.4	315-1000=±1.6		
30-120=±0.6	1000-2000=±2.4		
SCALE 4:1	SIZE A		

REVISION	
DESCRIPTION	ENGINEER