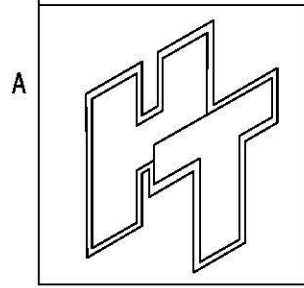
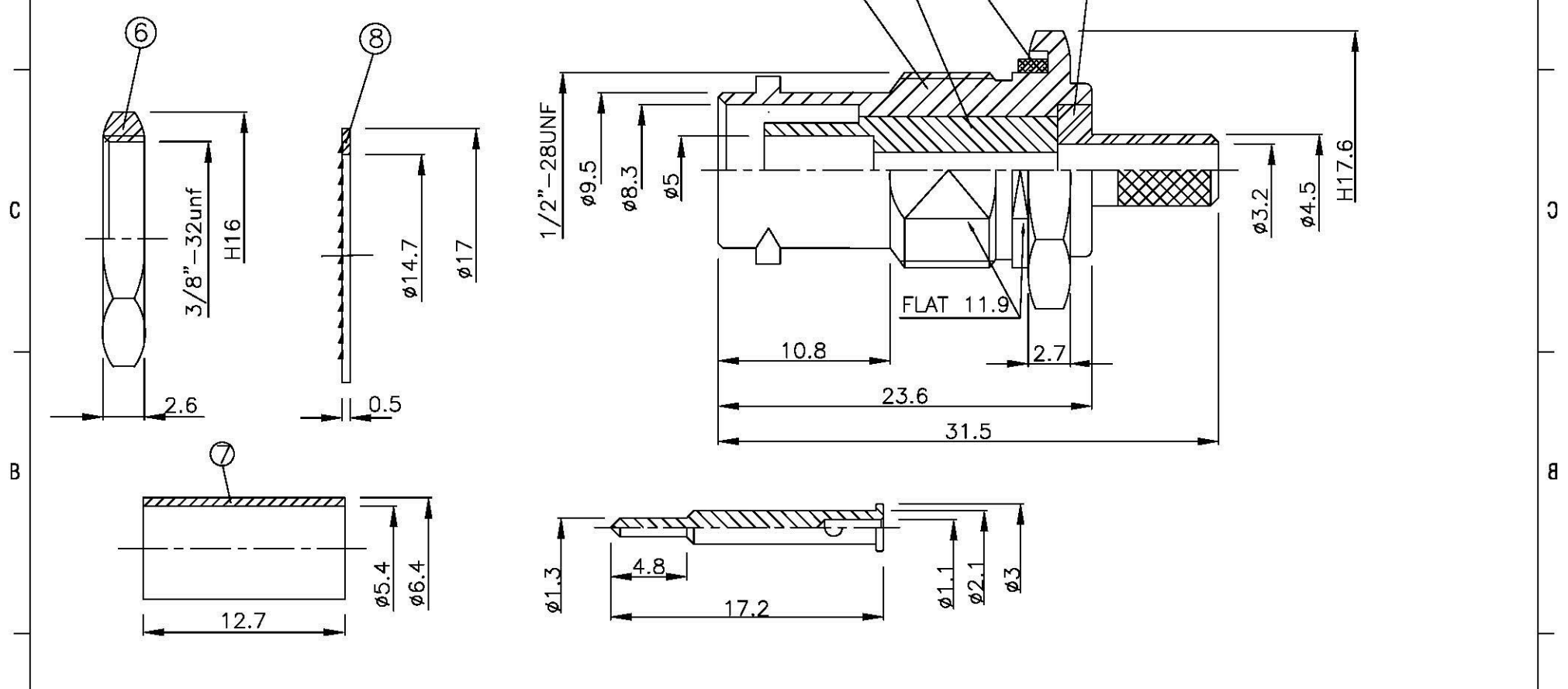
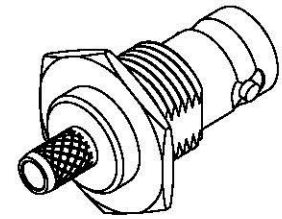


| NO | DESCRIPTION | MATERIAL | Q'TY | FINISH |
|----|-------------|----------|------|--------|
| 1 | BODY | BRASS | 1 | NICKEL |
| 2 | INSULATION | TEFLON | 1 | TEFLON |
| 3 | PIN | BRASS | 1 | GOLD |
| 4 | GASKET | RUBBER | 1 | RUBBER |
| 5 | BODY | BRASS | 1 | NICKEL |
| 6 | NUT | BRASS | 1 | NICKEL |
| 7 | RING | BRASS | 1 | NICKEL |
| 8 | WASHER | BRASS | 1 | NICKEL |



All Connectors
 www.allconnectors.de
 Tel: 0940 731 90004
 20794 Eilendorf, Germany
 info@allconnectors.de
 Tel: 0940 731 90004
 Kottbommt 25

TITLE BNC BULKHEAD FEMALE CRIMP
 REVERSE POLARITY FOR RG58U

PART NO. BNC-06F-TGN-RP

DRAWING NO. BNC 06F TGN RP

| | | | |
|-----------------|------|-------------|----------|
| DRAWN | MARY | DATE | 96.06.29 |
| CHECKED | 蘇志欣 | DATE | |
| Q.A. | 蘇姿潔 | DATE | |
| APPROVAL | 徐燦霖 | DATE | |
| REVISION | | DATE | |

| | | | |
|--------------------------------------|----------------|-------------|---|
| DIMENSIONS ARE IN MILLIMETERS | | | |
| UNLESS OTHERWISE SPECIFIED TOLERANCE | | | |
| 0.5-5=±0.2 | 120-315=±1 | | |
| 5-30=±0.4 | 315-1000=±1.6 | | |
| 30-120=±0.6 | 1000-2000=±2.4 | | |
| SCALE | 4:1 | SIZE | A |

| REVISION | |
|-----------------|----------|
| DESCRIPTION | ENGINEER |
| | |
| | |
| | |