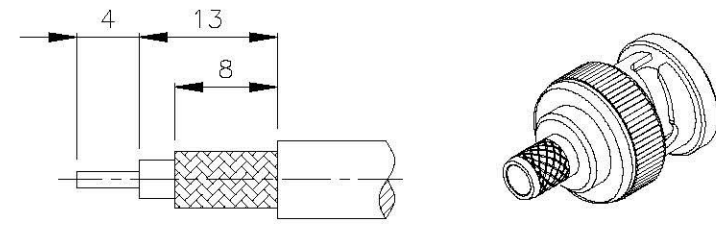
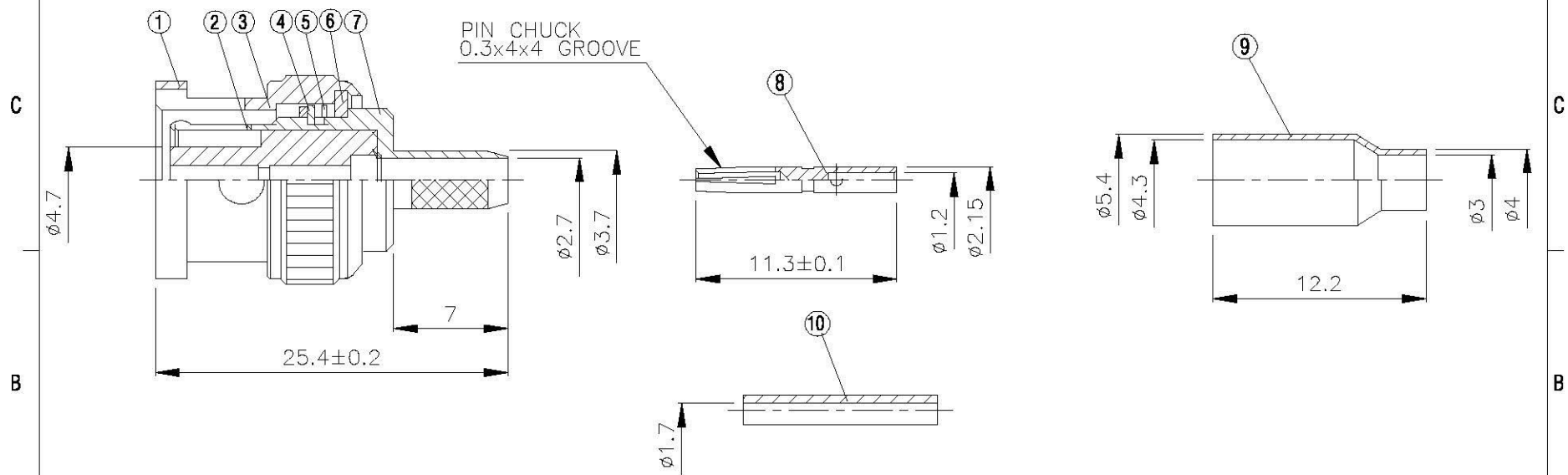
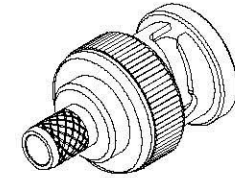


NO	DESCRIPTION	MATERIAL	Q'TY	FINISH
1	BODY 1	BRASS	1	NICKEL
2	RUBBER	SI RUBBER	1	RUBBER
3	WASHER 1	BRASS	1	NICKEL
4	WASHER 2	BRASS	1	NICKEL
5	WASHER 3	BRASS	1	NICKEL
6	INSULATION	TEFLON	1	TEFLON
7	BODY 2	BRASS	1	NICKEL
8	PIN	BRASS	1	GOLD
9	RING	BRASS	1	NICKEL
10	INSULATION	DELRIN	1	DELRIN



(Recommended Stripping Dimension)



	All Connectors <small>www.allconnectors.de Tel: +0049 711 2005109 20798 Hildersloh, Germany</small>	Info@allconnectors.de <small>Fax: +0049 711 2005104 Kuttenturm 22</small>	DRAWN MARY CHECKED 蘇志欣 Q.A. 蘇姿潔 APPROVAL 徐燦霖 REVISION	DATE 96.07.31 DATE DATE DATE	DIMENSIONS ARE IN MILLIMETERS UNLESS OTHERWISE SPECIFIED TOLERANCE 0.5-5 = ± 0.2 120-315 = ± 1 5-30 = ± 0.4 315-1000 = ± 1.6 30-120 = ± 0.6 1000-2000 = ± 2.4	REVISION	
	TITLE BNC MALE CRIMP FOR RG-174/U (REVERSE POLARITY)			SCALE 4:1 SIZE A		DESCRIPTION	ENGINEER
	PART NO. BNC-05L-TGN-RP						
	DRAWING NO. BNC 05L TGN RP						