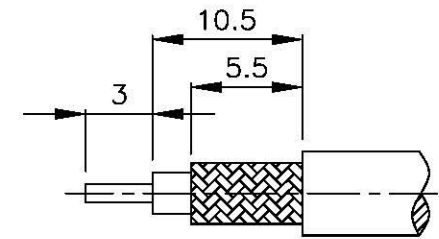
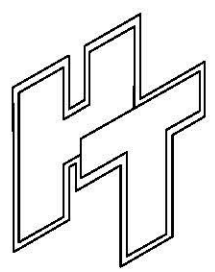
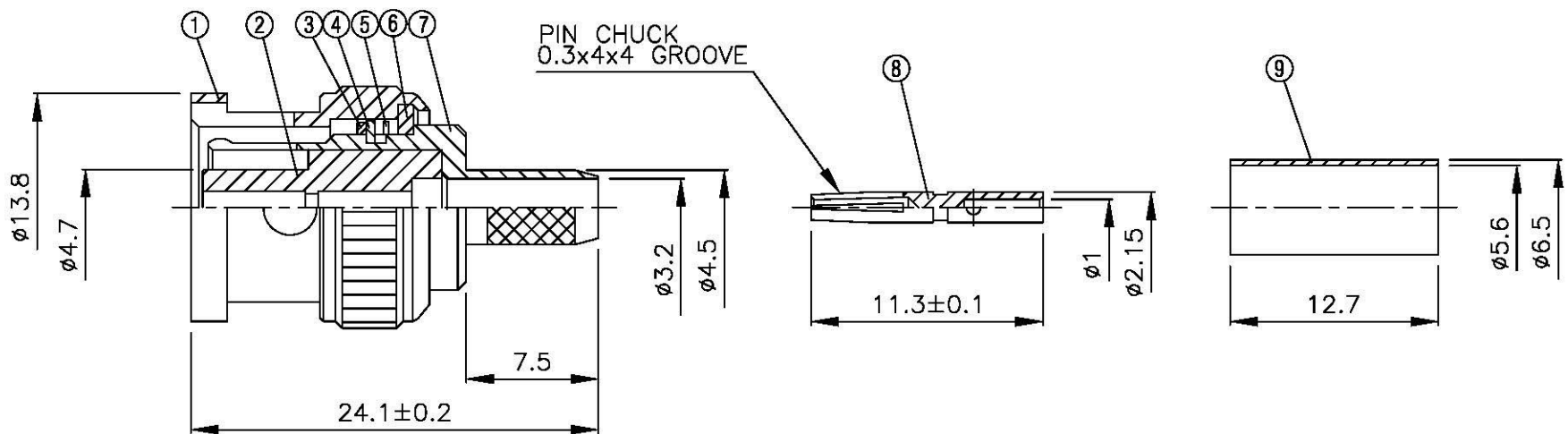
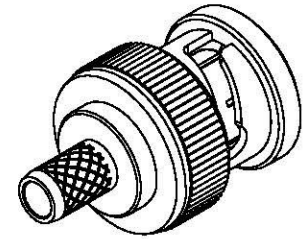


NO	DESCRIPTION	MATERIAL	Q'TY	FINISH	REMARK
1	BODY 1	BRASS	1	NICKEL	B-BNC0184-N
2	INSULATION	TEFLON	1	TEFLON	I-0130T
3	GASKET	SI RUBBER	1	RUBBER	RU-0010
4	WASHER 1	BRASS	1	NICKEL	W-0026-N
5	WASHER 2	BRASS	1	NICKEL	W-0027-N
6	WASHER 3	BRASS	1	NICKEL	W-0025-N
7	BODY 2	BRASS	1	NICKEL	B-TNC0085-N
8	PIN	BRASS	1	GOLD	P-TNC0054-G
9	RING	BRASS	1	NICKEL	R-0007-N



(Recommended Stripping Dimension)



All Connectors
 www.allconnectors.de info@allconnectors.de
 Tel: 049 711 700503 Fax: 049 711 700501
 55291 Ellerbach - Germany (September 20)

TITLE BNC MALE CRIMP FOR RG/58U
 REVERSE POLARITY

PART NO. BNC-05F-TGN-RP

DRAWING NO. BNC 05F TGN RP

DRAWN MARY **DATE** 94.02.24

CHECKED 蘇姿潔 **DATE**

Q.A. 馮健華 **DATE**

APPROVAL 徐燦霖 **DATE**

REVISION **DATE**

DIMENSIONS ARE IN MILLIMETERS

UNLESS OTHERWISE SPECIFIED TOLERANCE

0.5-5=±0.2	120-315=±1
5-30=±0.4	315-1000=±1.6
30-120±0.6	1000-2000=±2.4

SCALE 4:1 **SIZE** A

REVISION	
DESCRIPTION	ENGINEER