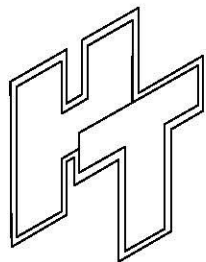
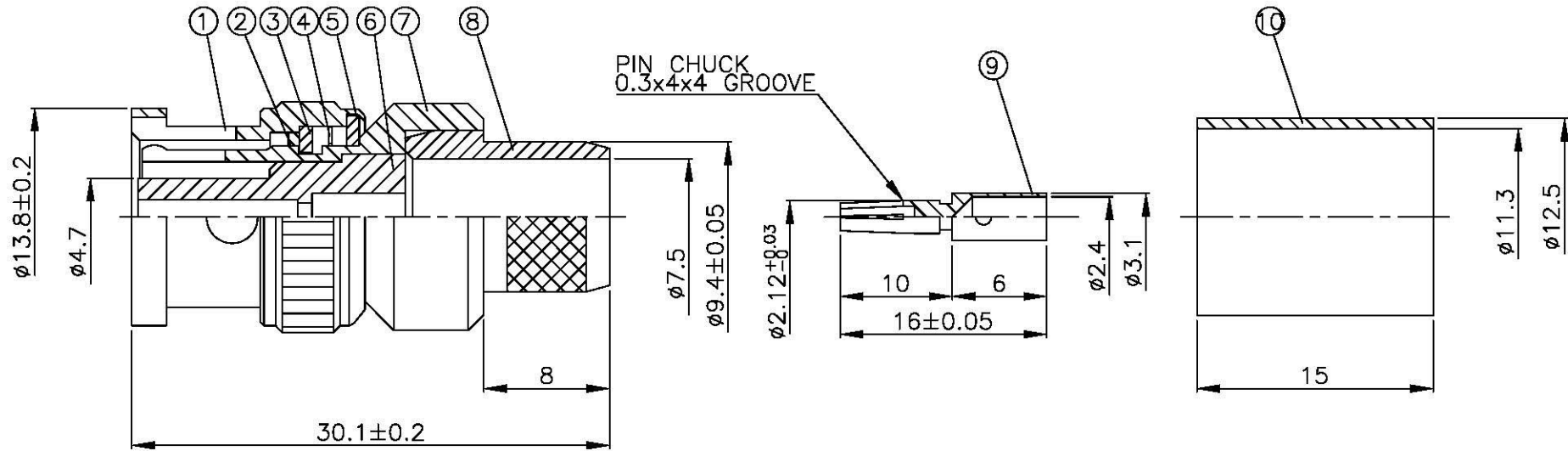
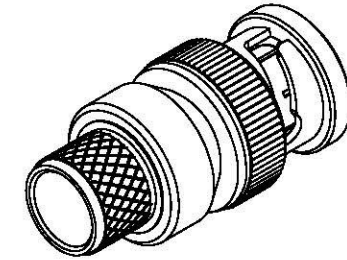


NO	DESCRIPTION	MATERIAL	Q'TY	FINISH	REMARK
1	BODY 1	BRASS	1	NICKEL	B-BNC0184-N
2	RUBBER	SI RUBBER	1	RUBBER	RU-0001
3	WASHER 1	BRASS	1	NICKEL	W-0026-N
4	WASHER 2	BRASS	1	NICKEL	W-0027-N
5	WASHER 3	BRASS	1	NICKEL	W-0025-N
6	INSULATION	TEFLON	1	TEFLON	I-0021T
7	BODY 2	BRASS	1	NICKEL	B-TNC0165-N
8	BODY 3	BRASS	1	NICKEL	B-N0050-N
9	PIN	BRASS	1	GOLD	P-TNC0110-G
10	RING	BRASS	1	NICKEL	R-0010-N



**All Connectors**  
 www.allconnectors.de  
 info@allconnectors.de  
 Tel: 0049 722 900500  
 70704 Filderstadt - Germany

TITLE **BNC MALE CRIMP FOR  
 RG 213/U REVERSE POLARITY**

PART NO. **BNC-05B-TGN-RP**

DRAWING NO. **BNC 05B TGN RP**

DRAWN MARY

DATE 96.06.29

CHECKED 蘇志欣

DATE

Q.A. 蘇姿潔

DATE

APPROVAL 徐燦霖

DATE

REVISION

DATE

DIMENSIONS ARE IN MILLIMETERS

UNLESS OTHERWISE SPECIFIED  
 TOLERANCES

0.5-5 = ±0.2      120-315 = ±1

5-30 = ±0.4      315-1000 = ±1.6

30-120 = ±0.6      1000-2000 = ±2.4

SCALE 4:1      SIZE A

REVISION

DESCRIPTION      ENGINEER