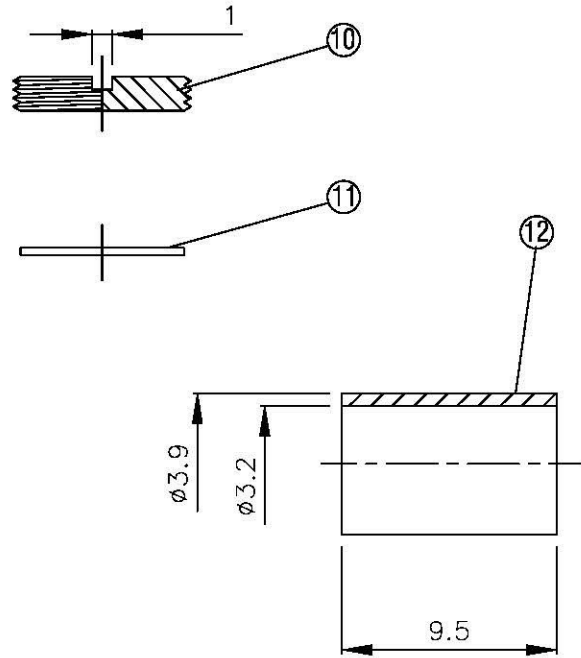
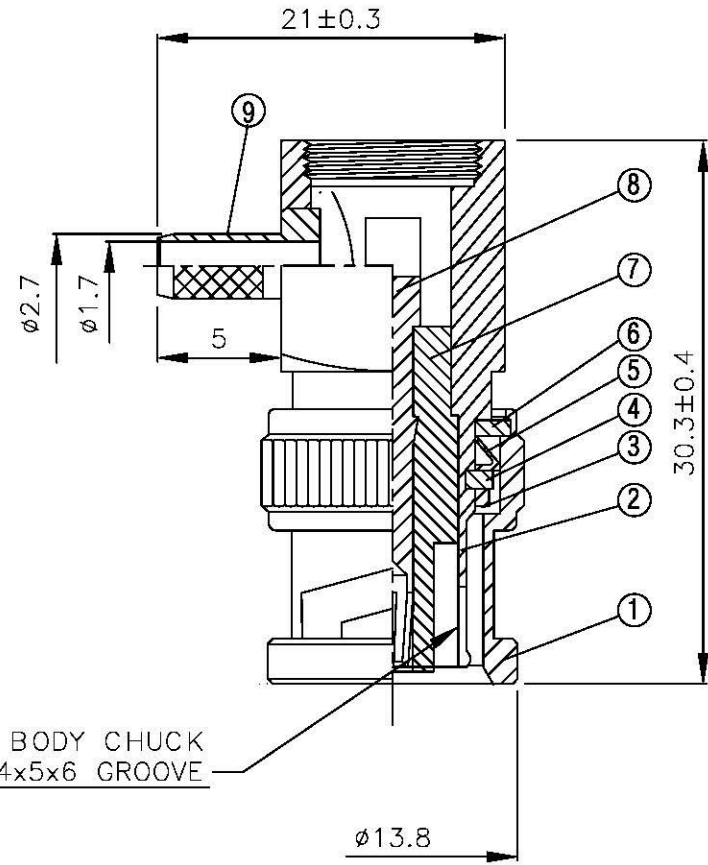
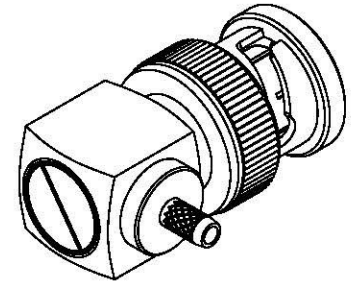
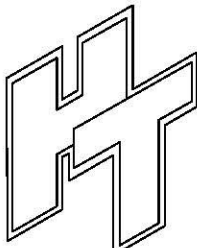


NO	DESCRIPTION	MATERIAL	Q'TY	FINISH
1	SHELL	BRASS	1	NICKEL
2	BODY 1	BRASS	1	NICKEL
3	GASKET	SI RUBBER	1	RUBBER
4	WASHER	BRASS	1	NICKEL
5	SPRING	SK-5	1	NICKEL
6	WASHER	BRASS	1	NICKEL
7	INSULATION	DELRIN	1	DELRIN
8	PIN	BRASS	1	GOLD
9	BODY 2	BRASS	1	NICKEL
10	WASHER	BRASS	1	NICKEL
11	INSULATION	TEFLON	1	TEFLON
12	RING	BRASS	1	NICKEL



	All Connectors <small>www.allconnectors.de info@allconnectors.de TEL: 0049 211 200500 FAX: 0049 211 200501 20259 Hildesheim, Germany Kettelerstr. 25</small>	DRAWN MARY DATE 97.02.26	DIMENSIONS ARE IN MILLIMETERS				REVISION	
		CHECKED 蘇志欣 DATE	UNLESS OTHERWISE SPECIFIED TOLERANCE				DESCRIPTION	ENGINEER
		Q.A. 蘇姿潔 DATE	0.5-5=±0.2 120-315=±1					
		APPROVAL 徐燦霖 DATE	5-30=±0.4 315-1000=±1.6					
		REVISION DATE	30-120=±0.6 1000-2000=±2.4					
TITLE BNC MALE ANGLE CRIMP FOR RG-316/U REVERSE POLARITY PART NO. BNC-02LV1-TGN-RP DRAWING NO. BNC 02LV1 TGN RP				SCALE	4:1	SIZE	A	