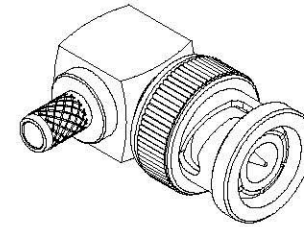


NO	DESCRIPTION	MATERIAL	Q'TY	FINISH
1	SHELL	BRASS	1	NICKEL
2	BODY 1	BRASS	1	NICKEL
3	GASKET	SI RUBBER	1	RUBBER
4	WASHER	BRASS	1	NICKEL
5	SPRING	SK-5	1	NICKEL
6	WASHER	BRASS	1	NICKEL
7	INSULATION	DELTRIN	1	DELTRIN
8	PIN	BRASS	1	GOLD
9	BODY 2	BRASS	1	NICKEL
10	WASHER	BRASS	1	NICKEL
11	INSULATION	TEFLON	1	TEFLON
12	RING	BRASS	1	NICKEL



D

C

B

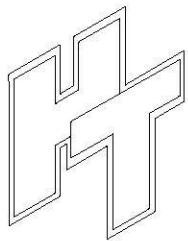
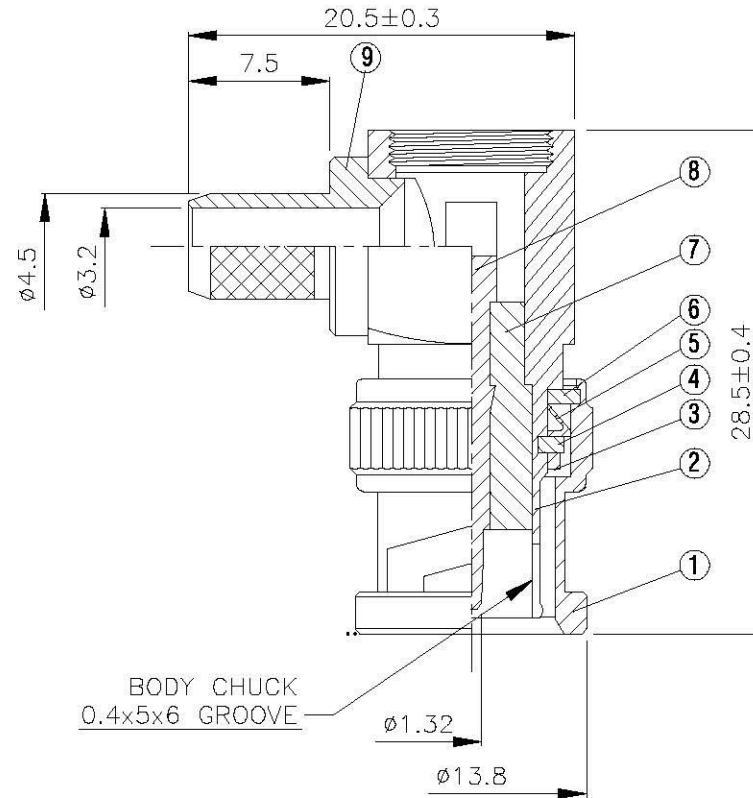
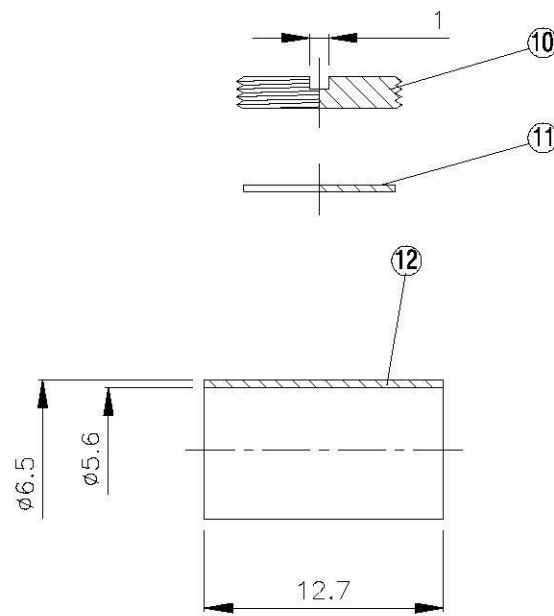
A

D

C

B

A



All Connectors

www.allconnectors.de info@allconnectors.de
Tel: 0649 711 7000500 Fax: 0649 711 7000504
70734 Filderstadt - Germany Kettamerstr. 25

**TITLE BNC MALE ANGLE CRIMP
FOR RG58U, 58A/U, 141A/U
(REVERSE POLARITY)**

PART NO. BNC-02FV1-DGN-RP

DRAWING NO. BNC 02FV1 DGN RP

DRAWN	MARY	DATE	96.07.24
CHECKED	蘇志欣	DATE	
Q.A.	蘇姿潔	DATE	
APPROVAL	徐燦霖	DATE	
REVISION		DATE	

DIMENSIONS ARE IN MILLIMETERS			
UNLESS OTHERWISE SPECIFIED TOLERANCE			
0.5-5=±0.2	120-315=±1		
5-30=±0.4	315-1000=±1.6		
30-120=±0.6	1000-2000=±2.4		
SCALE	4:1	SIZE	A

REVISION	
DESCRIPTION	ENGINEER

4

3

2

1