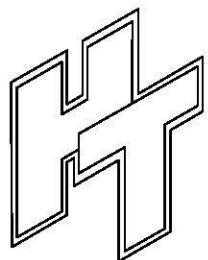
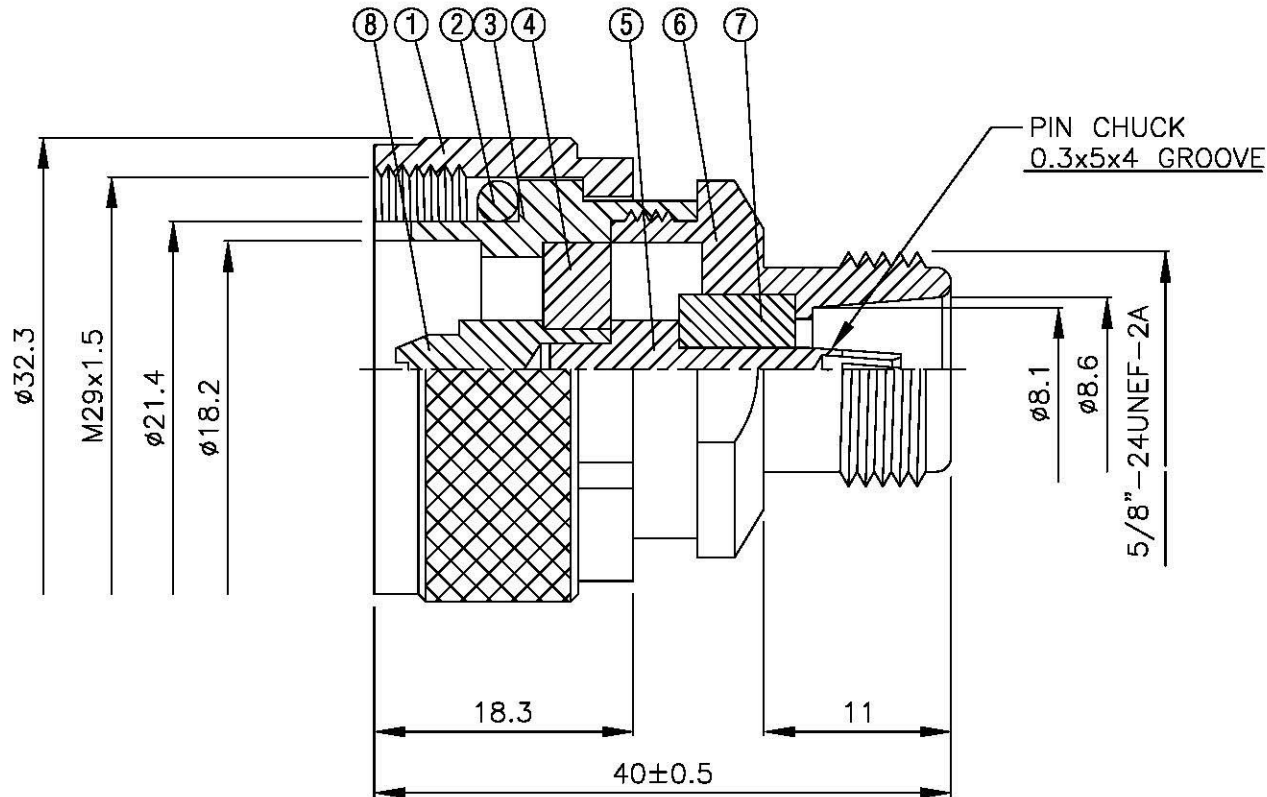
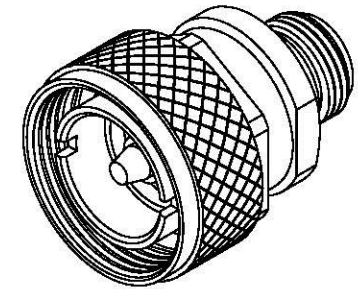


NO	DESCRIPTION	MATERIAL	Q'TY	FINISH	REMARK
1	BODY 1	BRASS	1	SILVER	B-7160338-S
2	GASKET	SI RUBBER	1	RUBBER	RU-0020
3	BODY 2	BRASS	1	SILVER	B-7160339-S
4	INSULATION 1	TEFLON	1	TEFLON	I-0211T
5	PIN	BRASS	1	SILVER	P-7160215-S
6	BODY 3	BRASS	1	SILVER	B-7160373-S
7	INSULATION 2	TEFLON	1	TEFLON	I-0312T
8	PIN	BRASS	1	SILVER	P-7160522-S



**All Connectors**

www.allconnectors.de  
Tel.: 0049 711 7008303  
70794 Filzbergstr. Germany

info@allconnectors.de  
Fax: 0049 711 7008304  
Kettenstr. 25

DRAWN MARY DATE 92.05.01

CHECKED 蘇姿潔 DATE

Q.A. 馮健華 DATE

APPROVAL 徐燦霖 DATE

REVISION DATE

TITLE 7/16 MALE -N FEMALE

PART NO. 716-13-TSS

DRAWING NO. 716-13-TSS

DIMENSIONS ARE IN MILLIMETERS

UNLESS OTHERWISE SPECIFIED TOLERANCE

0.5-5 =  $\pm 0.2$  120-315 =  $\pm 1$

5-30 =  $\pm 0.4$  315-1000 =  $\pm 1.6$

30-120 =  $\pm 0.6$  1000-2000 =  $\pm 2.4$

SCALE 4:1 SIZE A

REVISION

DESCRIPTION ENGINEER